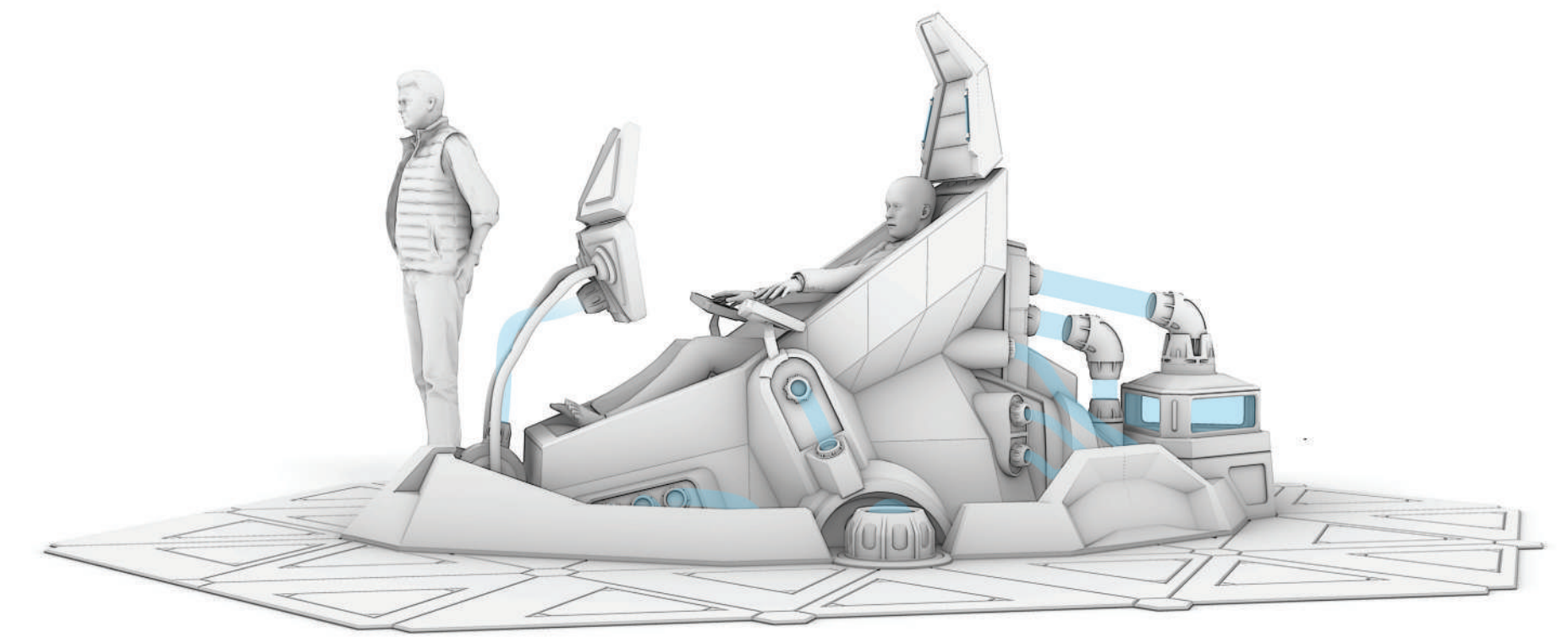
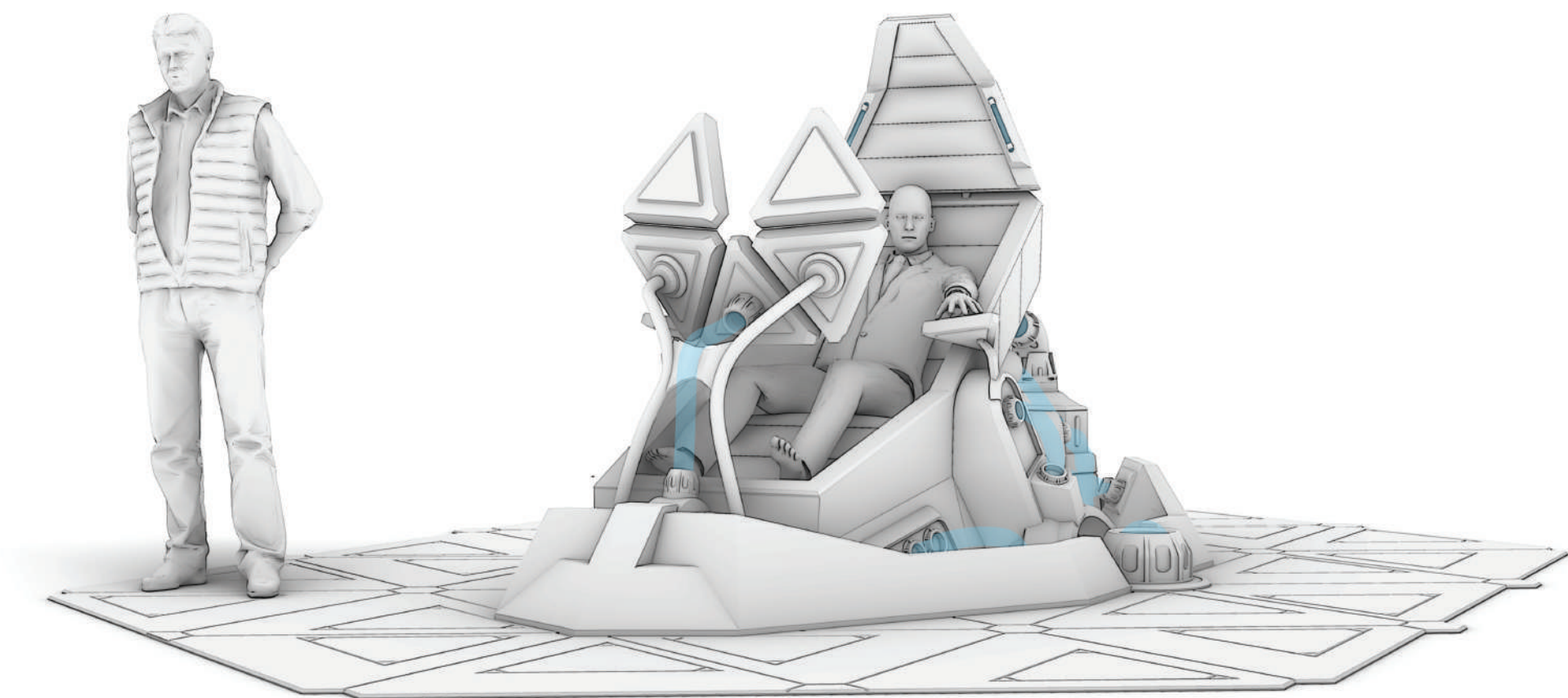


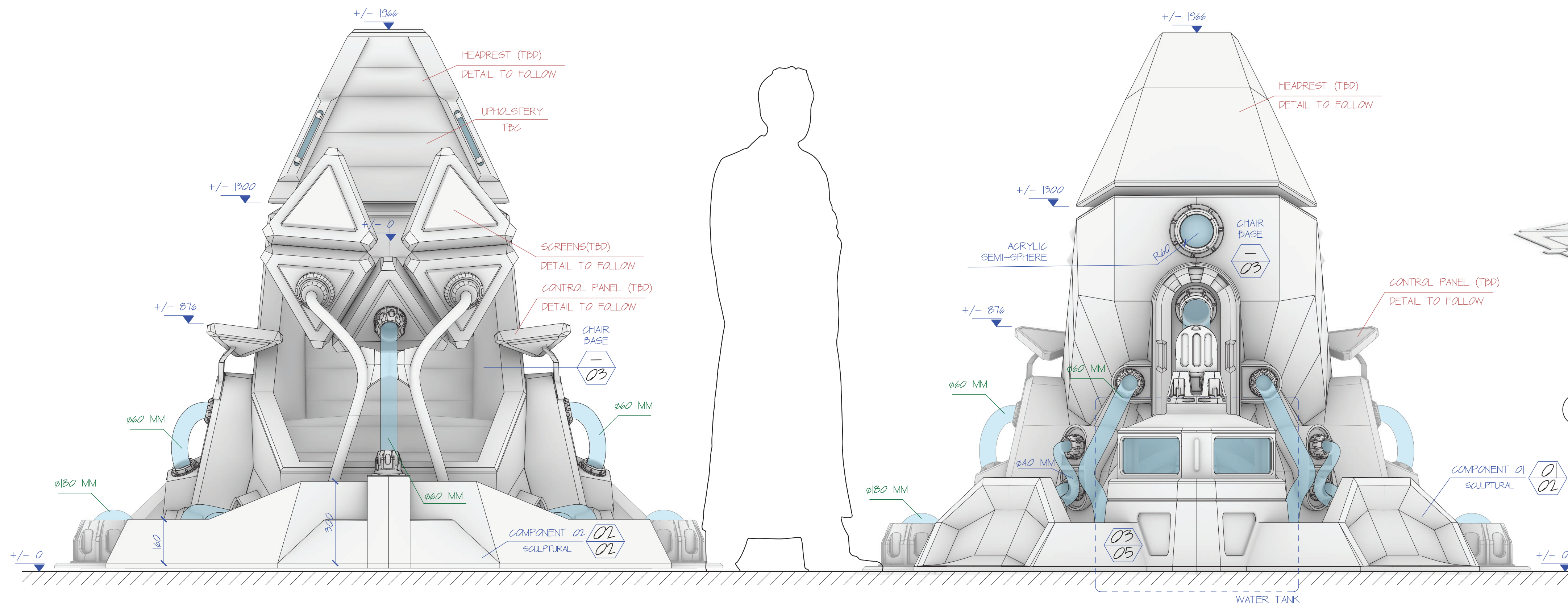
B PILOT CHAIR - SIDE ELEVATION  
SC: 1/10



SIDE VIEW

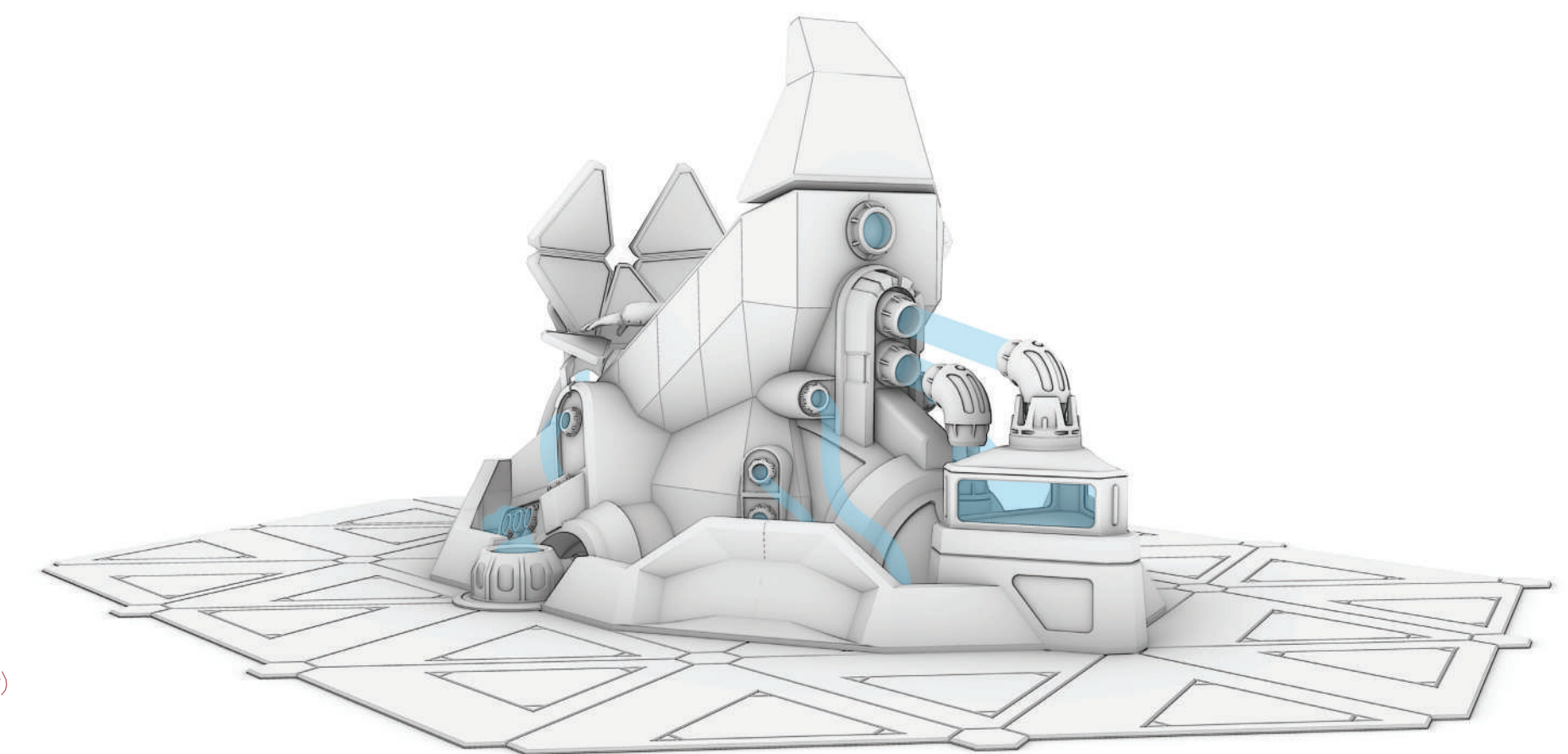


FRONT VIEW



C PILOT CHAIR - FRONT ELEVATION  
SC: 1/10

D PILOT CHAIR - BACK ELEVATION  
SC: 1/10



BACK VIEW

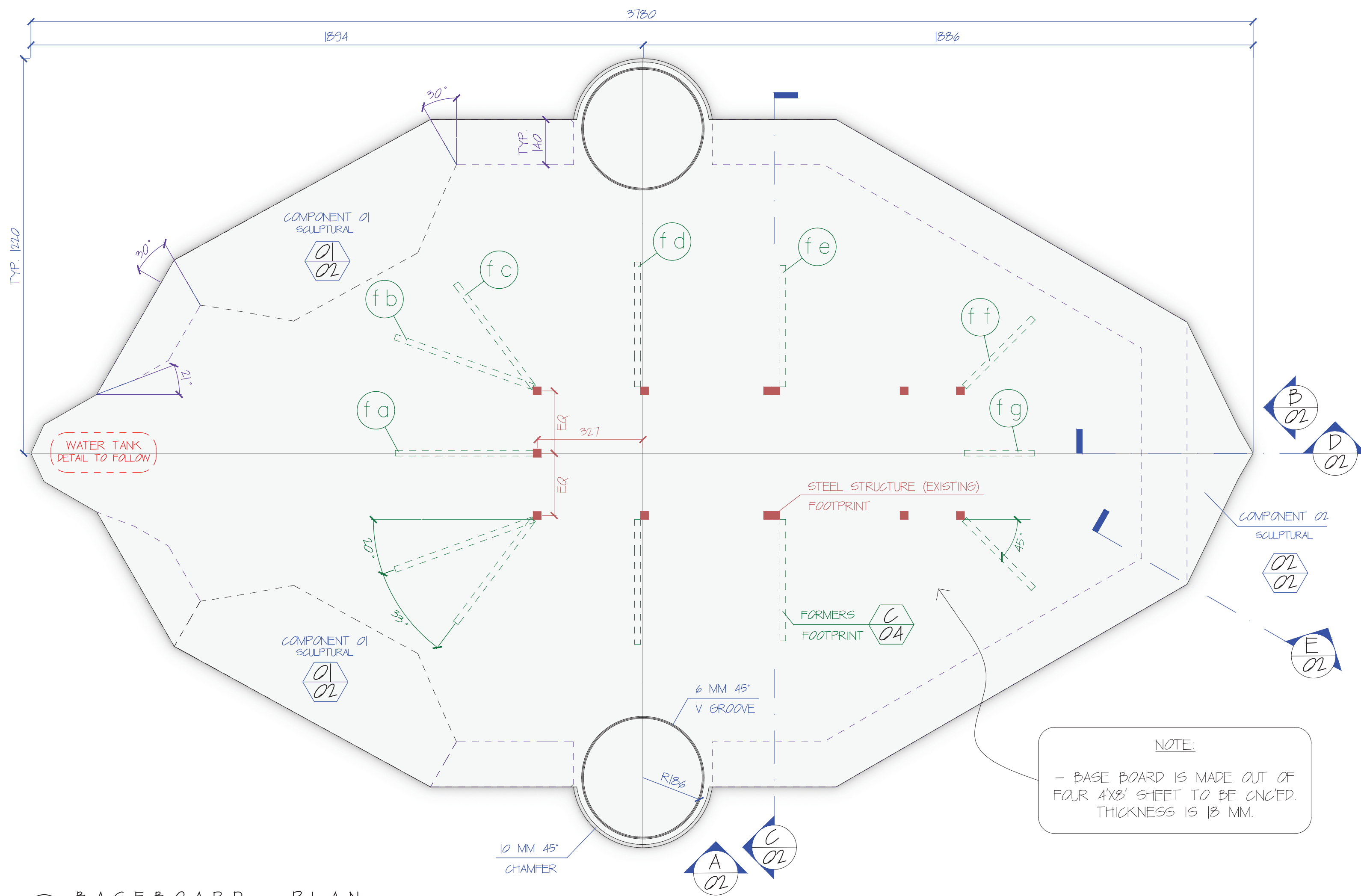
E PILOT CHAIR - MODEL VIEWS  
SC: N/A

NOTES:

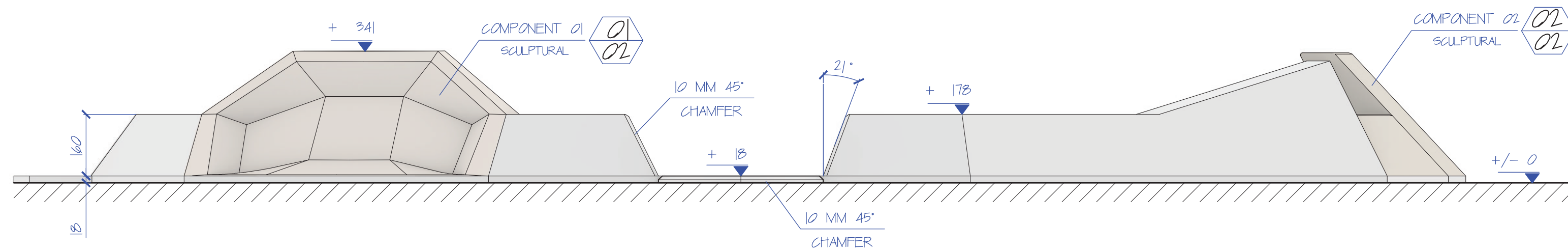
- DXF FILES AND MODEL WILL BE PROVIDED.
- WATER TANK AND WATER CIRCULATION IS TO BE DISCUSSED WITH SFX.
- HALF-SPHERE ACRYLIC IS TO BE DISCUSSED.

The Bridge		012-3008-002
DIR:	GHOSH SHIP - PILOT CHAIR	STAGE
DETAILS:	ELEVATIONS	SCALE: 1/10 @ A1
DRAWN BY:	HAKAN Y	DATE ISSUED:
DATE DRAWN:	14/06/22	DATE REVISED:
PRODUCTION:	PRODUCTION DESIGNER: Phil Sims	
APPROVAL:		

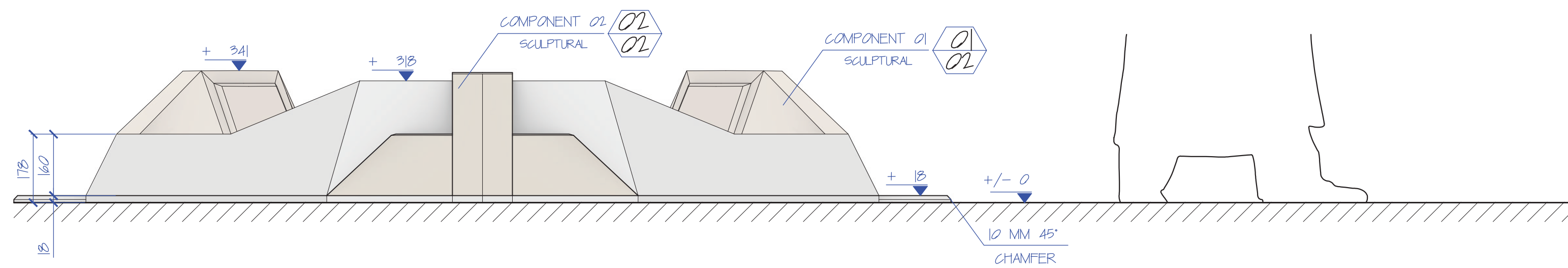




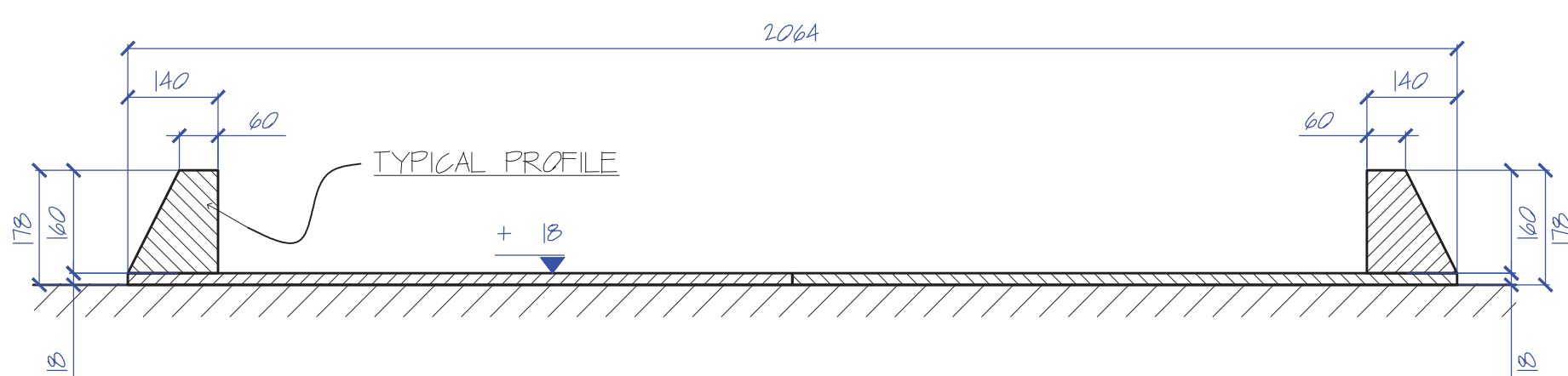
1 BASEBOARD - PLAN  
SC: 1/10



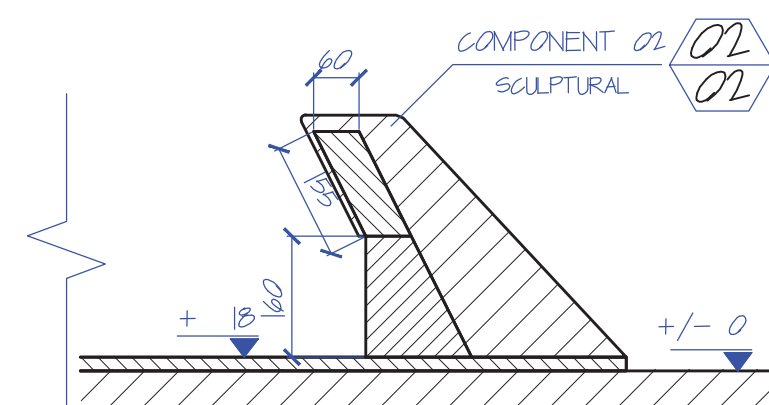
A BASE - SIDE ELEVATION  
SC: 1/10



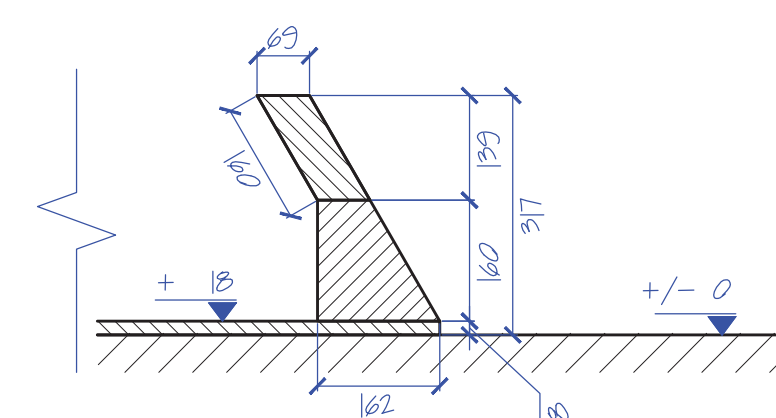
B BASE - SIDE ELEVATION  
SC: 1/10



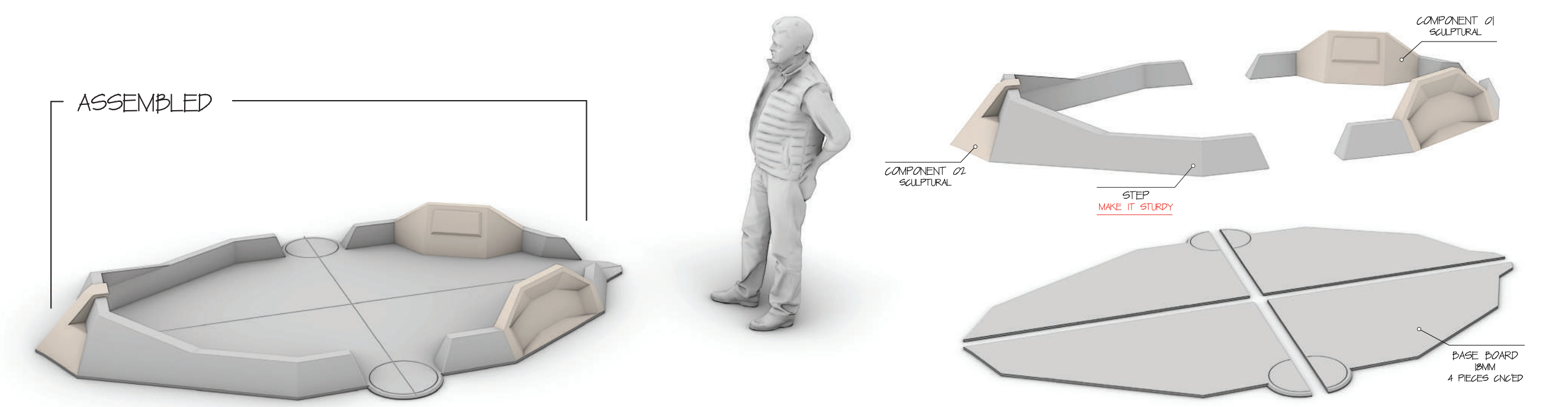
C BASE - SECTION  
SC: 1/10



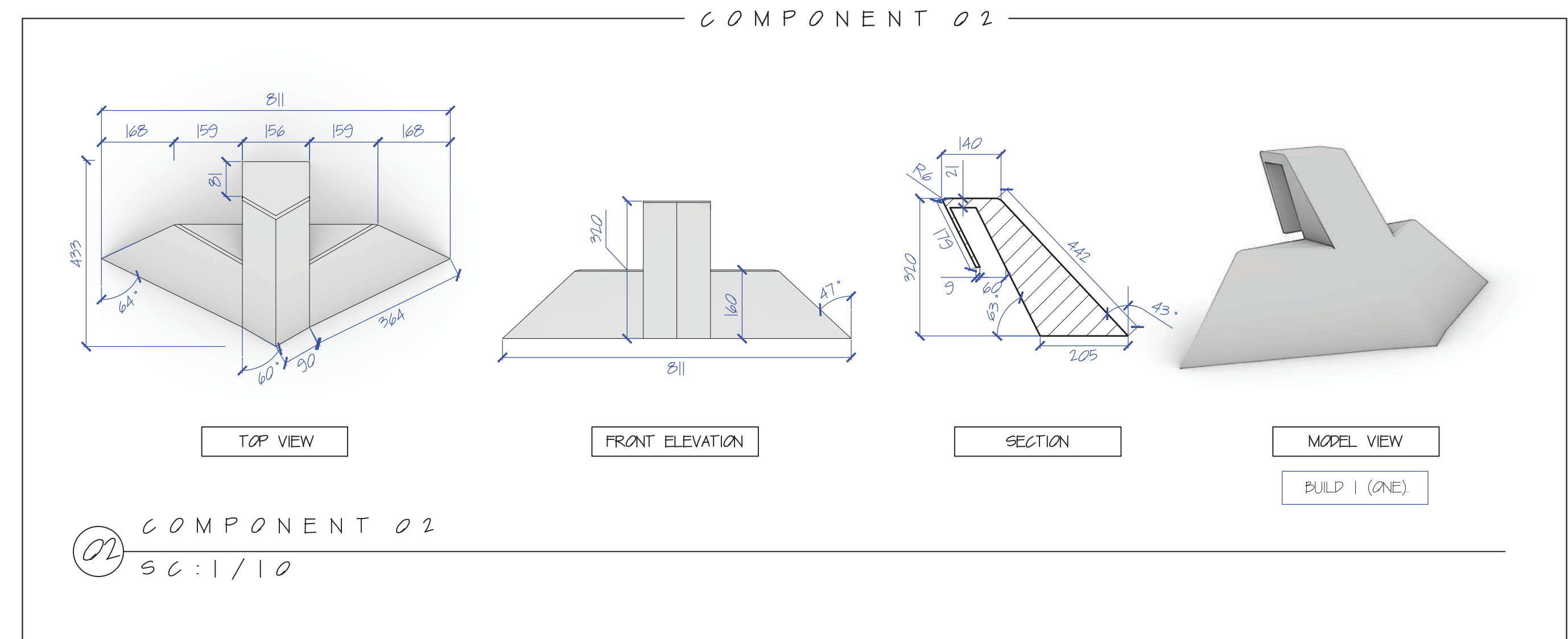
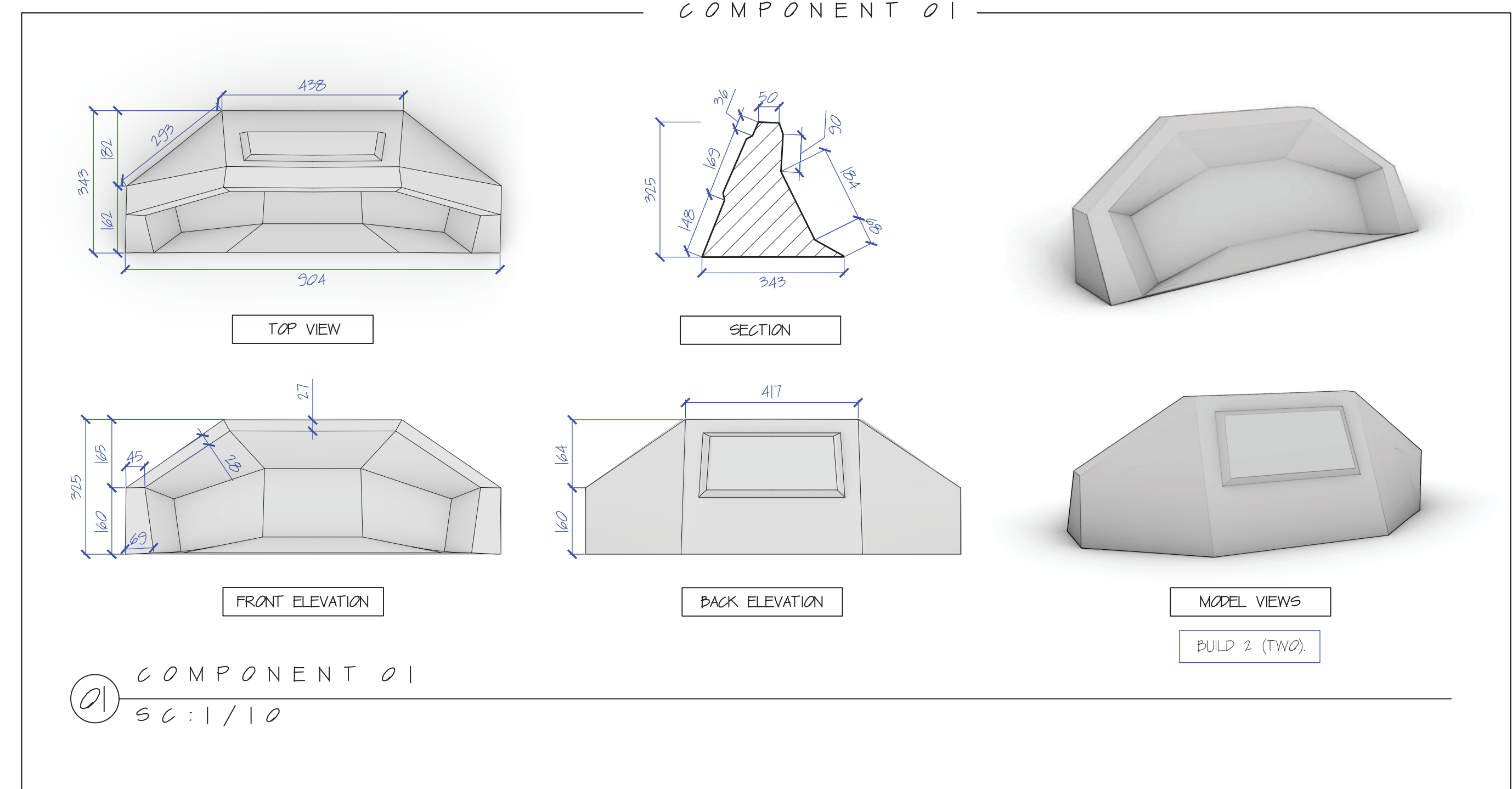
D BASE - SECTION  
SC: 1/10



E BASE - SECTION  
SC: 1/10



MODEL VIEW  
SC: N/A



NOTES:

- WATER TANK IS TBD. DETAIL TO FOLLOW.
- COMPONENT 01 & 02 HAVE NON-PLANAR SURFACES TO BE SCULPTED.
- DXF FILES AND 3D MODEL WILL BE PROVIDED.
- PLEASE READ WITH DWG 03 & 04.

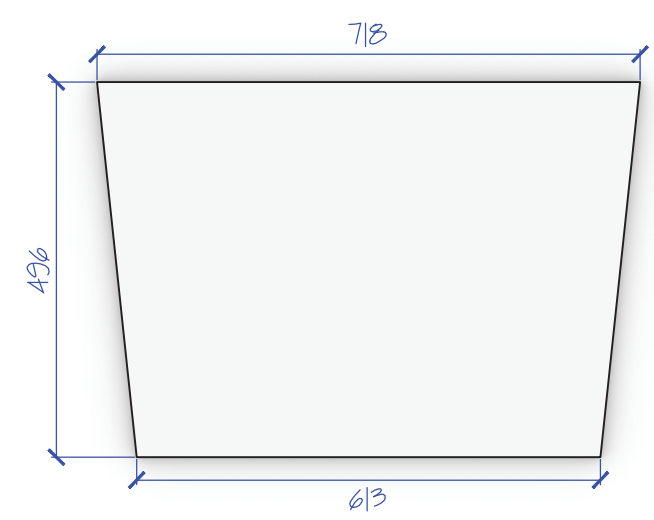
**PRELIMINARY**

The Bridge		012-3008-002
DIR:	GHOSH SHIP - PILOT CHAIR	LOCATION / STAGE
DETAILS:	BASE BOARD & COMPONENTS	SCALE: 1/10 @ A1
DRAWN BY:	HAKAN Y	DATE DRAWN: 08/06/22
DATE ISSUED:		DATE REVISED:
DIRECTOR:		PRODUCTION DESIGNER: Phil Sims
SET DEC:		
PROF:		
GRAPHICS:		
CONSTRUCTION:		
STX:		
PRODUCTION:		
PRODUCTION DESIGNER:	Phil Sims	
B.O.P.		

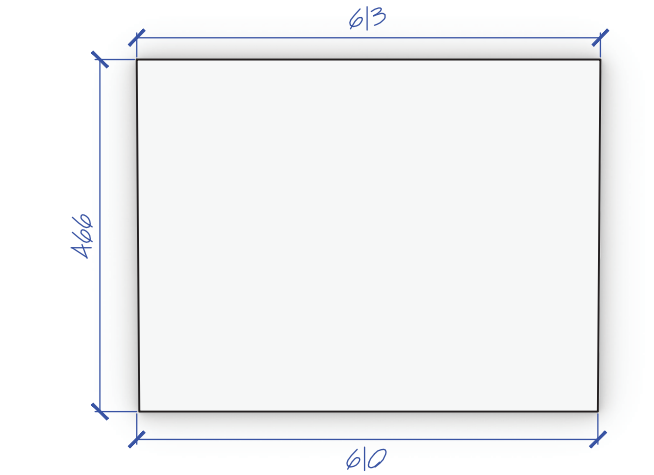




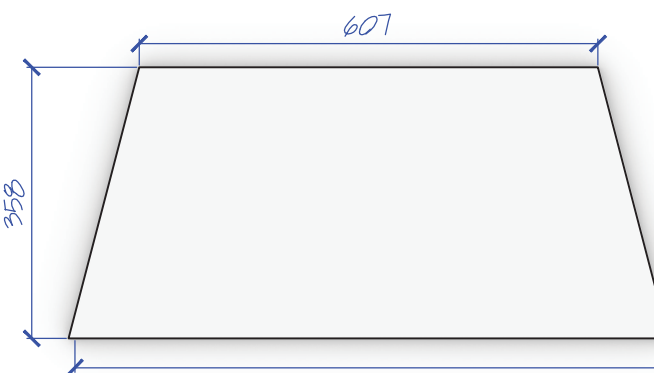




sa BUILD 1 (ONE)  
THICKNESS: 18 MM



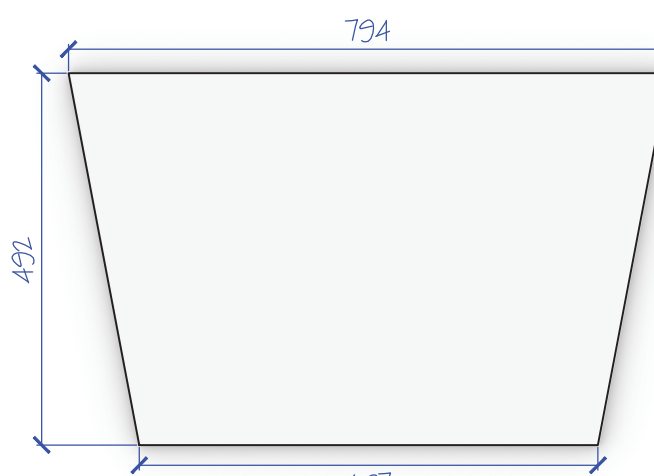
sb BUILD 1 (ONE)  
THICKNESS: 18 MM



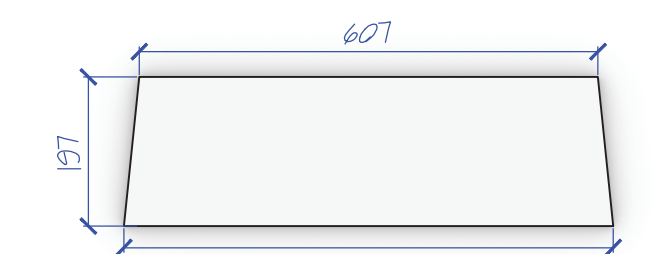
sc BUILD 1 (ONE)  
THICKNESS: 18 MM



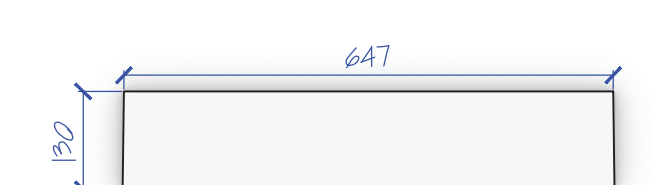
sd BUILD 1 (ONE)  
THICKNESS: 18 MM



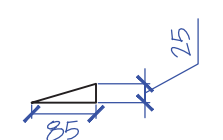
se BUILD 1 (ONE)  
THICKNESS: 18 MM



sf BUILD 1 (ONE)  
THICKNESS: 18 MM



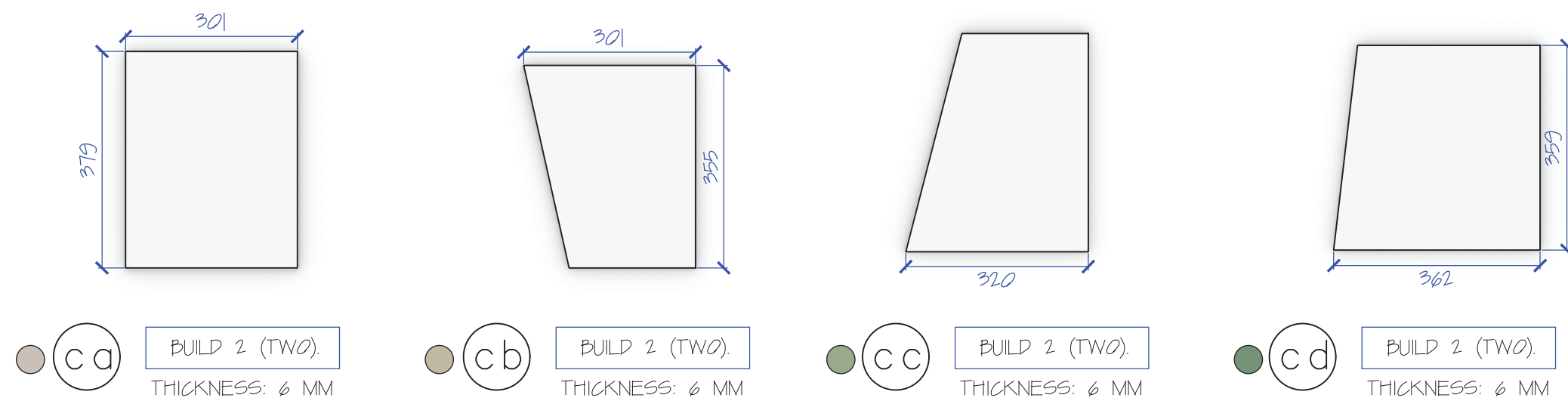
sg BUILD 1 (ONE)  
THICKNESS: 18 MM



sh BUILD 2 (TWO)  
THICKNESS: 18 MM

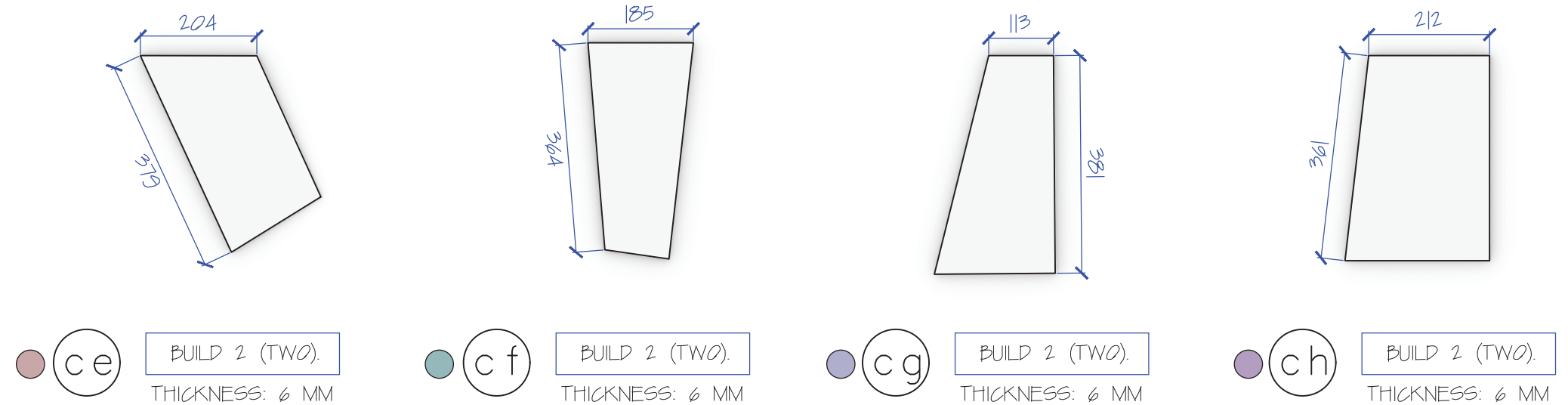
A SEATING - CNC  
SC:1/10

OUTER - BACK

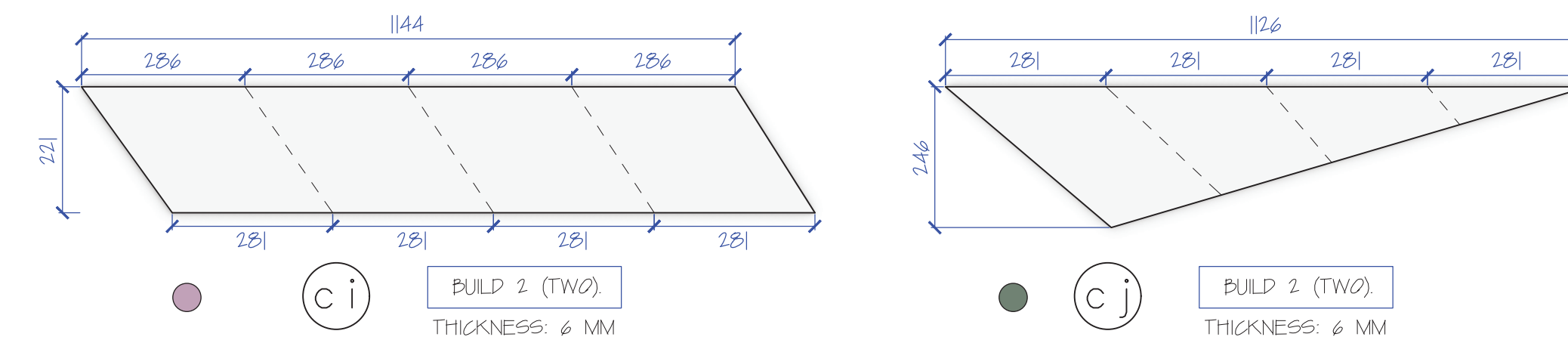


ca BUILD 2 (TWO) THICKNESS: 6 MM  
cb BUILD 2 (TWO) THICKNESS: 6 MM  
cc BUILD 2 (TWO) THICKNESS: 6 MM  
cd BUILD 2 (TWO) THICKNESS: 6 MM

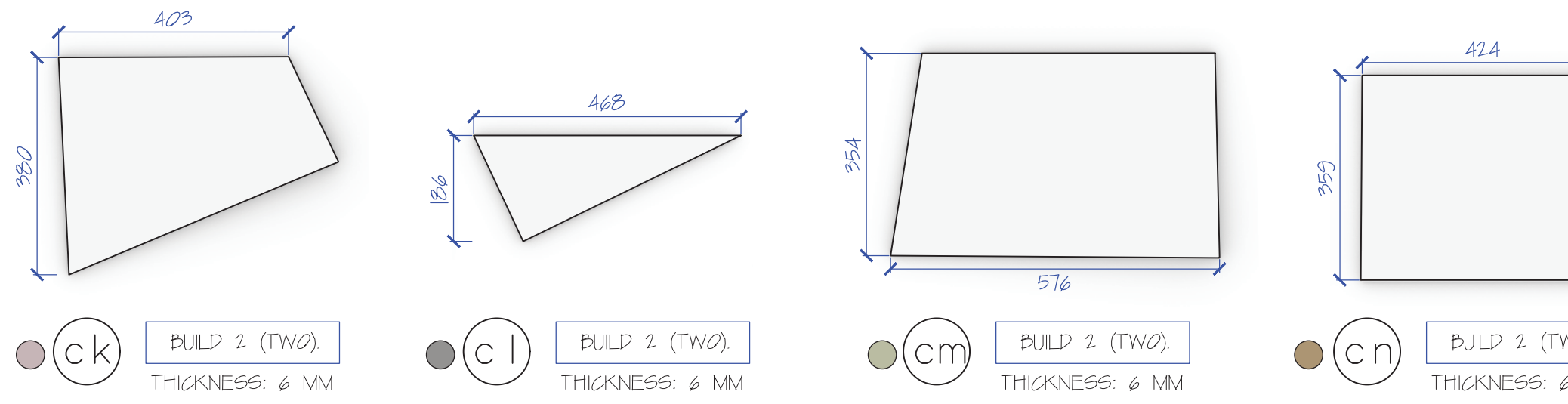
OUTER - SIDE



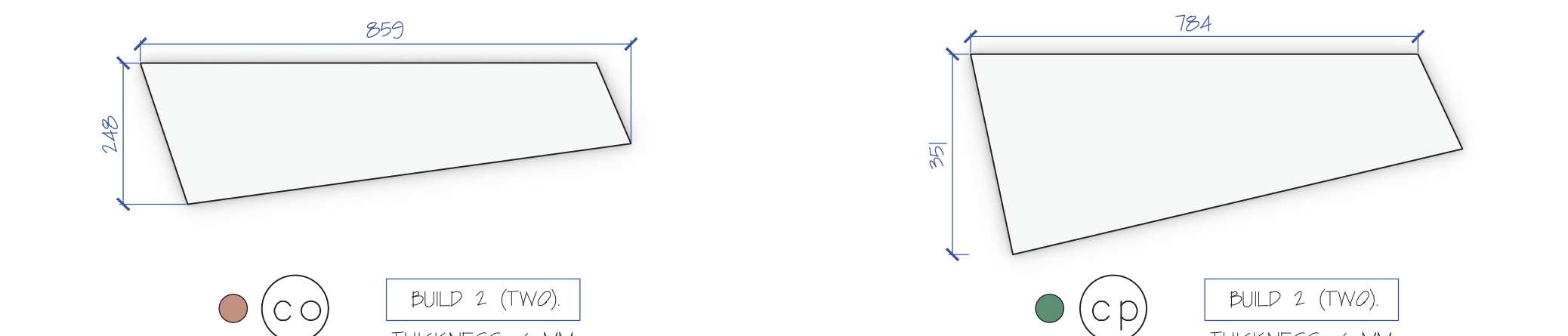
ce BUILD 2 (TWO) THICKNESS: 6 MM  
cf BUILD 2 (TWO) THICKNESS: 6 MM  
cg BUILD 2 (TWO) THICKNESS: 6 MM  
ch BUILD 2 (TWO) THICKNESS: 6 MM



ci BUILD 2 (TWO) THICKNESS: 6 MM  
cj BUILD 2 (TWO) THICKNESS: 6 MM

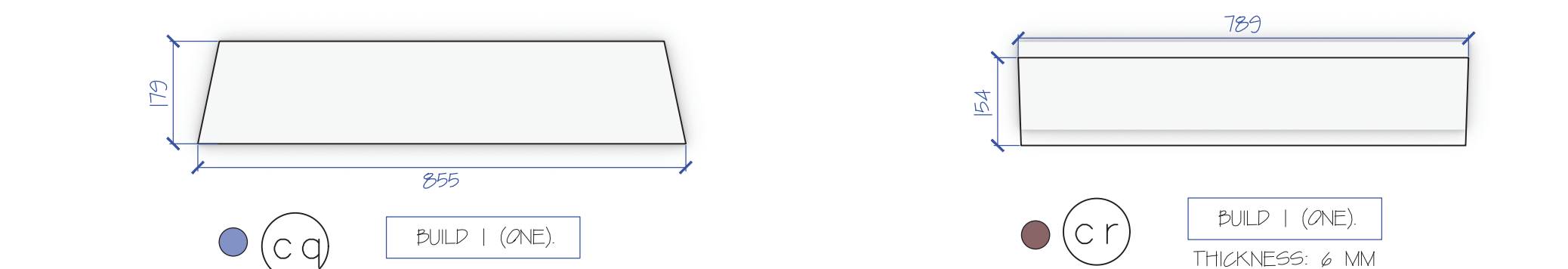


ck BUILD 2 (TWO) THICKNESS: 6 MM  
cl BUILD 2 (TWO) THICKNESS: 6 MM  
cm BUILD 2 (TWO) THICKNESS: 6 MM  
cn BUILD 2 (TWO) THICKNESS: 6 MM



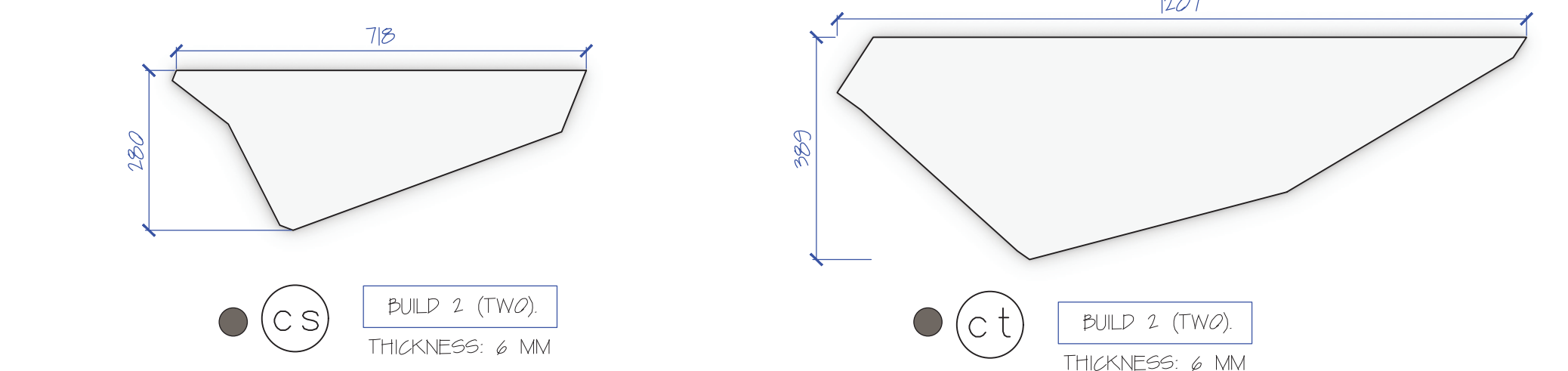
co BUILD 2 (TWO) THICKNESS: 6 MM  
cp BUILD 2 (TWO) THICKNESS: 6 MM

OUTER - FRONT



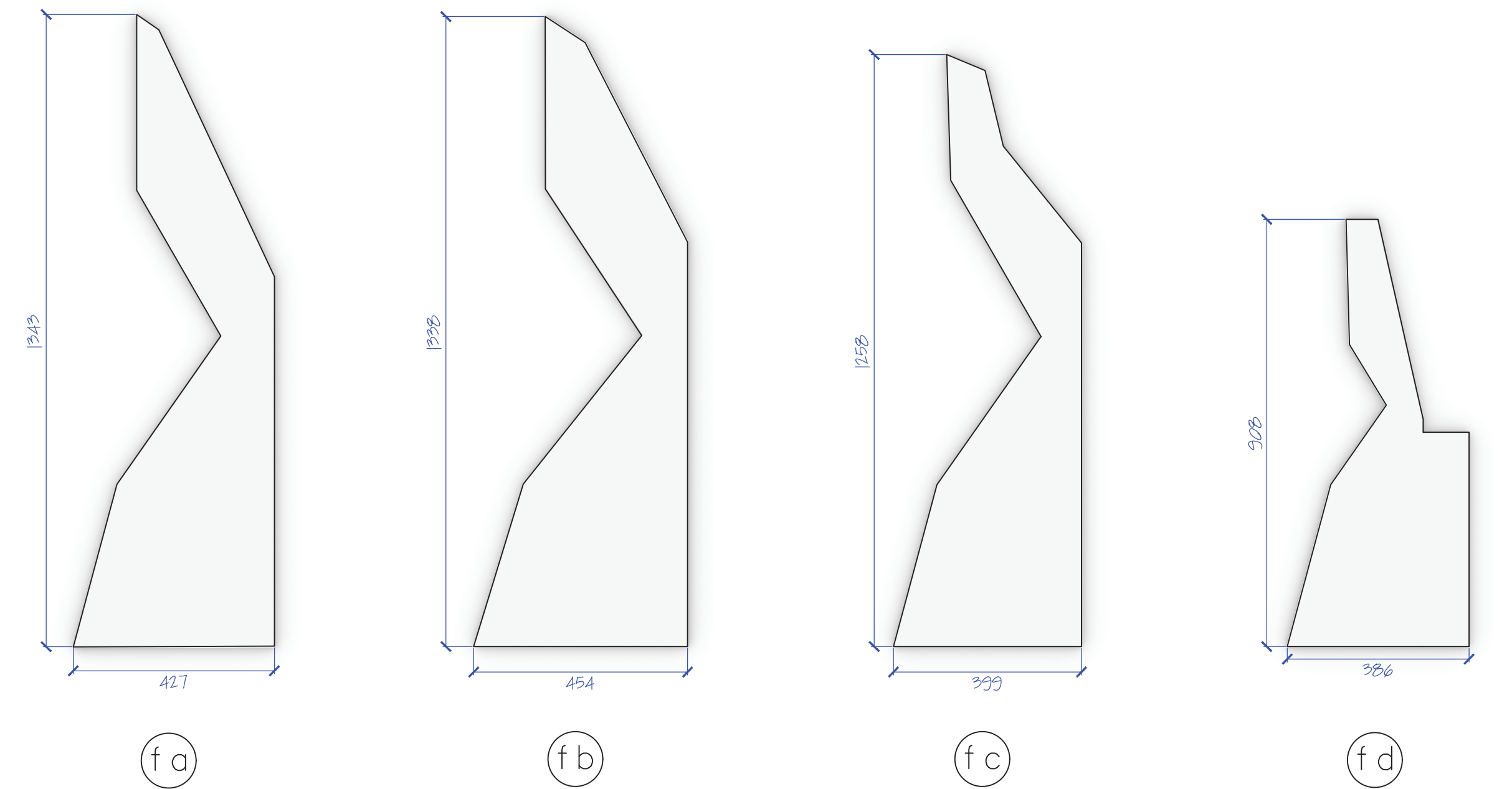
cq BUILD 1 (ONE) THICKNESS: 6 MM  
cr BUILD 1 (ONE) THICKNESS: 6 MM

INNER

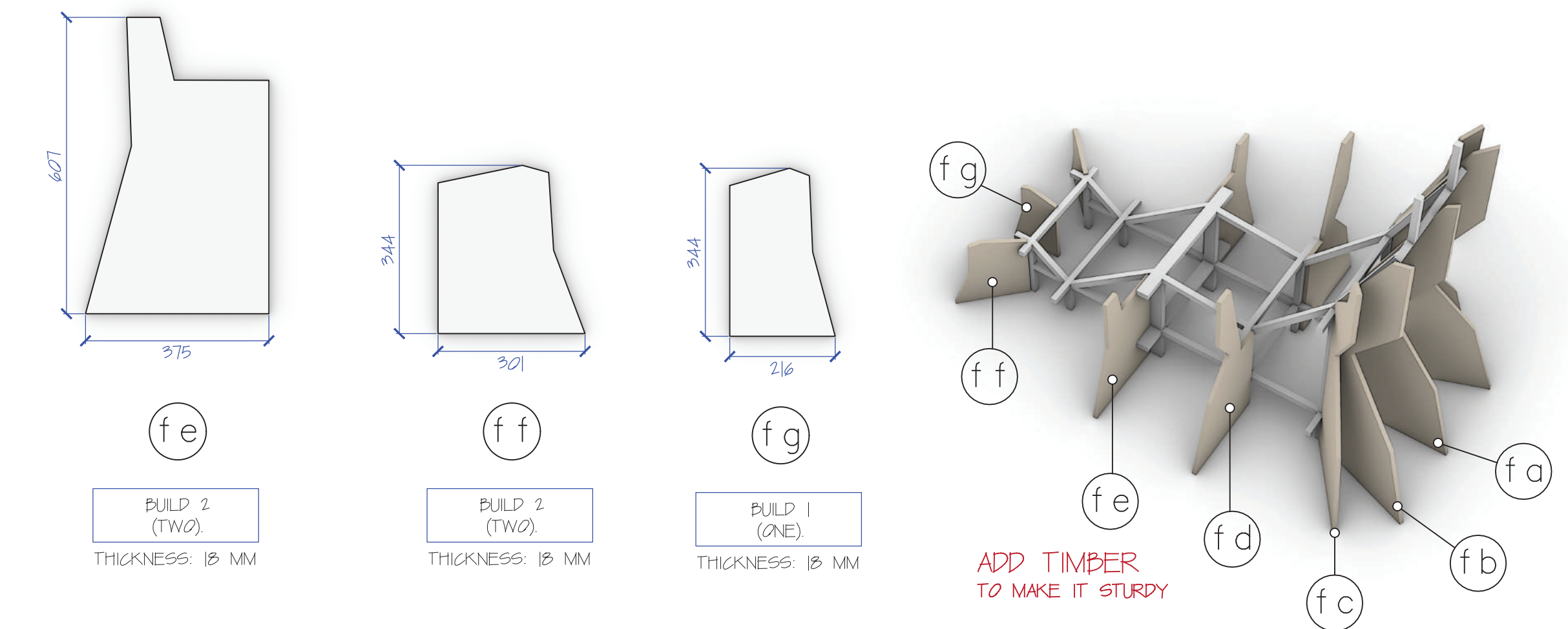


cs BUILD 2 (TWO) THICKNESS: 6 MM  
ct BUILD 2 (TWO) THICKNESS: 6 MM

B CLADDING - CNC  
SC:1/10



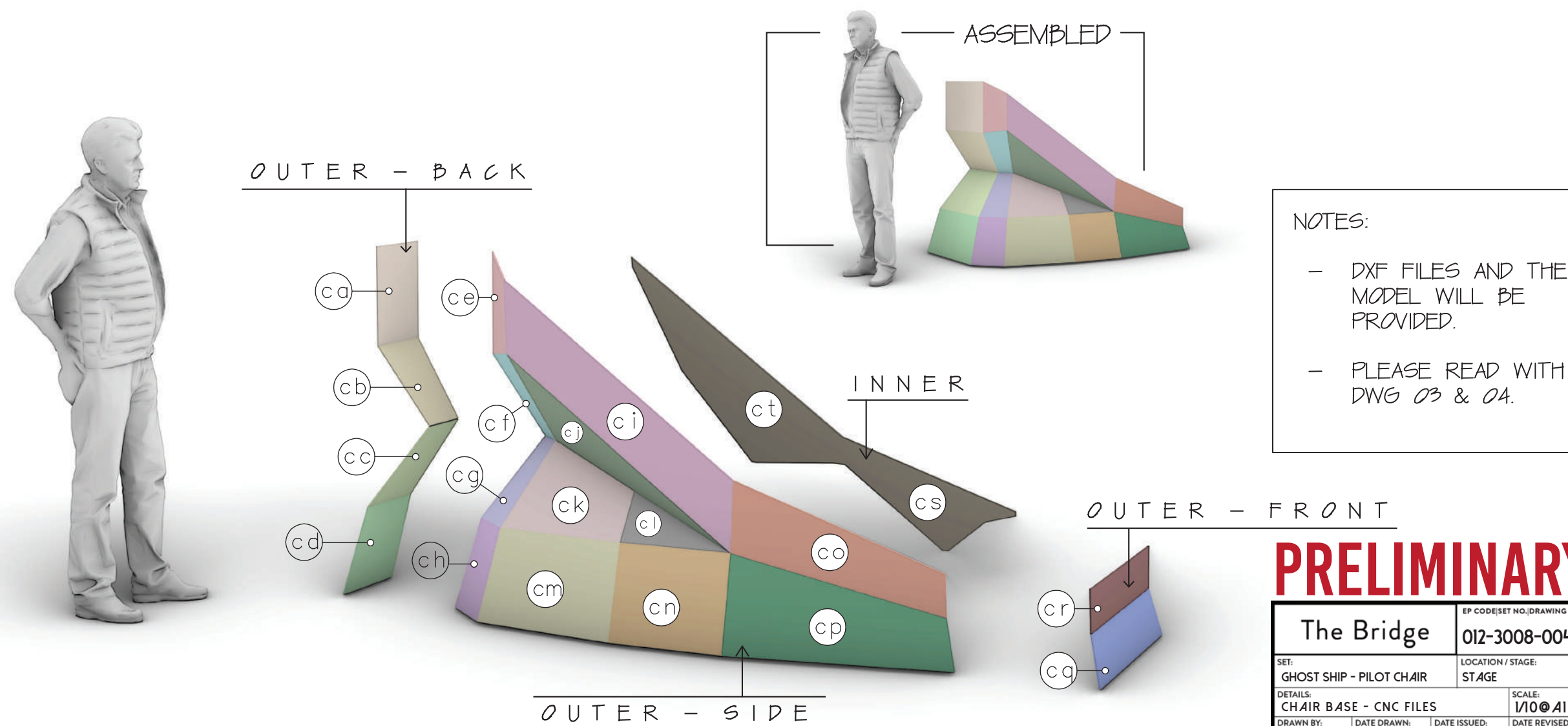
fa BUILD 1 (ONE) THICKNESS: 18 MM  
fb BUILD 2 (TWO) THICKNESS: 18 MM  
fc BUILD 2 (TWO) THICKNESS: 18 MM  
fd BUILD 2 (TWO) THICKNESS: 18 MM



fe BUILD 2 (TWO) THICKNESS: 18 MM  
ff BUILD 2 (TWO) THICKNESS: 18 MM  
fg BUILD 1 (ONE) THICKNESS: 18 MM

ADD TIMBER TO MAKE IT STURDY

C FORMERS - CNC  
SC:1/10



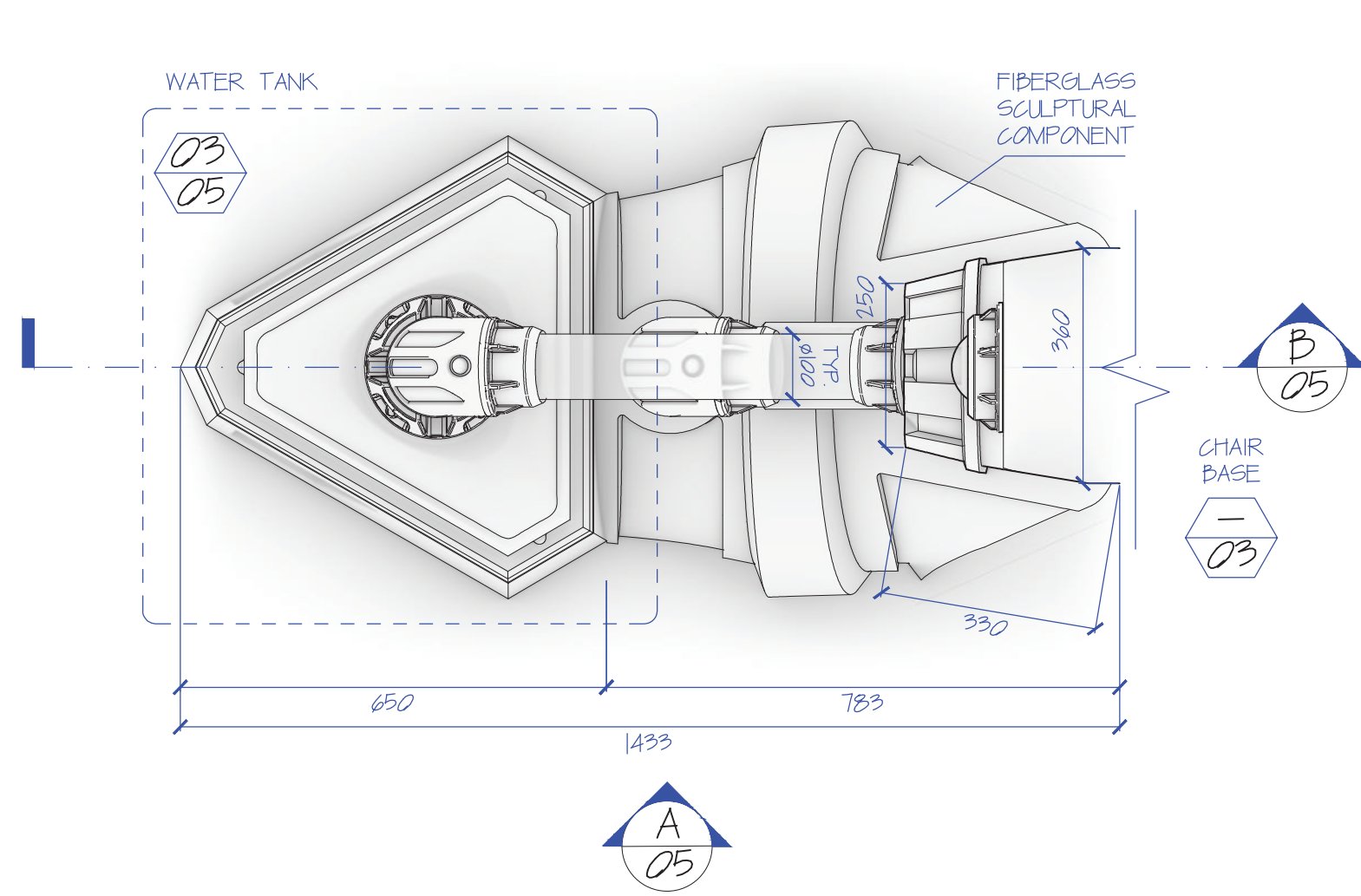
NOTES:  
- DXF FILES AND THE MODEL WILL BE PROVIDED.  
- PLEASE READ WITH DWG 03 & 04.

D MODEL VIEW - COLOR CODED  
SC:N/A

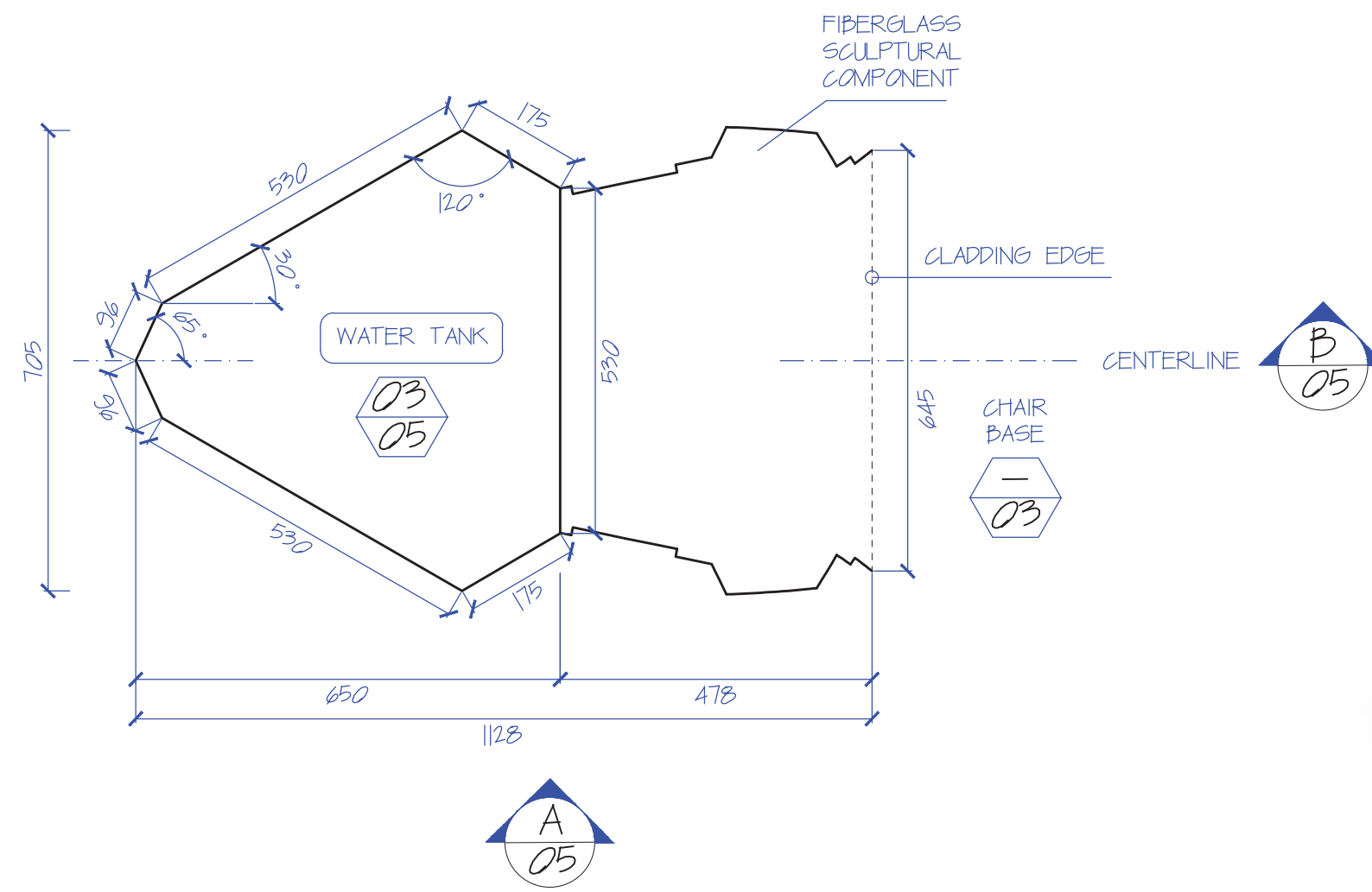
**PRELIMINARY**

The Bridge		012-3008-004
SET:	LOCATION / STAGE:	
DETAIL:	SCALE:	
CHAIR BASE - CNC FILES	1/10 @ A1	
DRAWN BY: HAKAN Y	DATE DRAWN: 08/06/22	DATE ISSUED: DATE REVISED:
DIRECTOR:	PRODUCTION DESIGNER: Phil Sims	
DIRECTOR:	SET DEC:	
OWNER:	PROP:	
LIGHTING:	CONTRACT:	
LOCATION:	CONSTRUCTION:	
HEALTH & SAFETY:	WFX:	
PRODUCTION:	STX:	
ARTIST:	PIGMA:	
APPROVAL:	PRODUCTION DESIGNER: Phil Sims	
	D.O.A.	

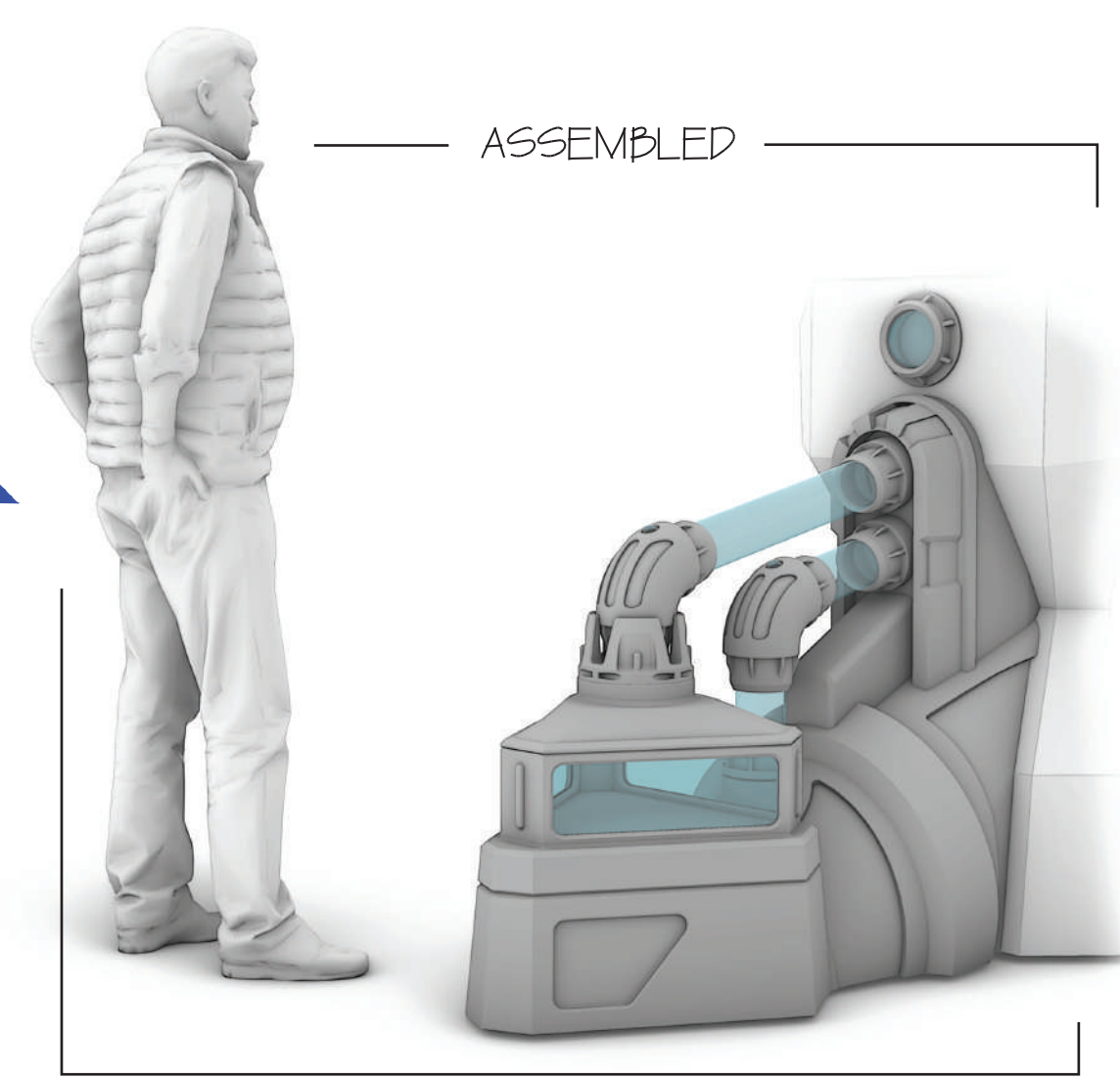




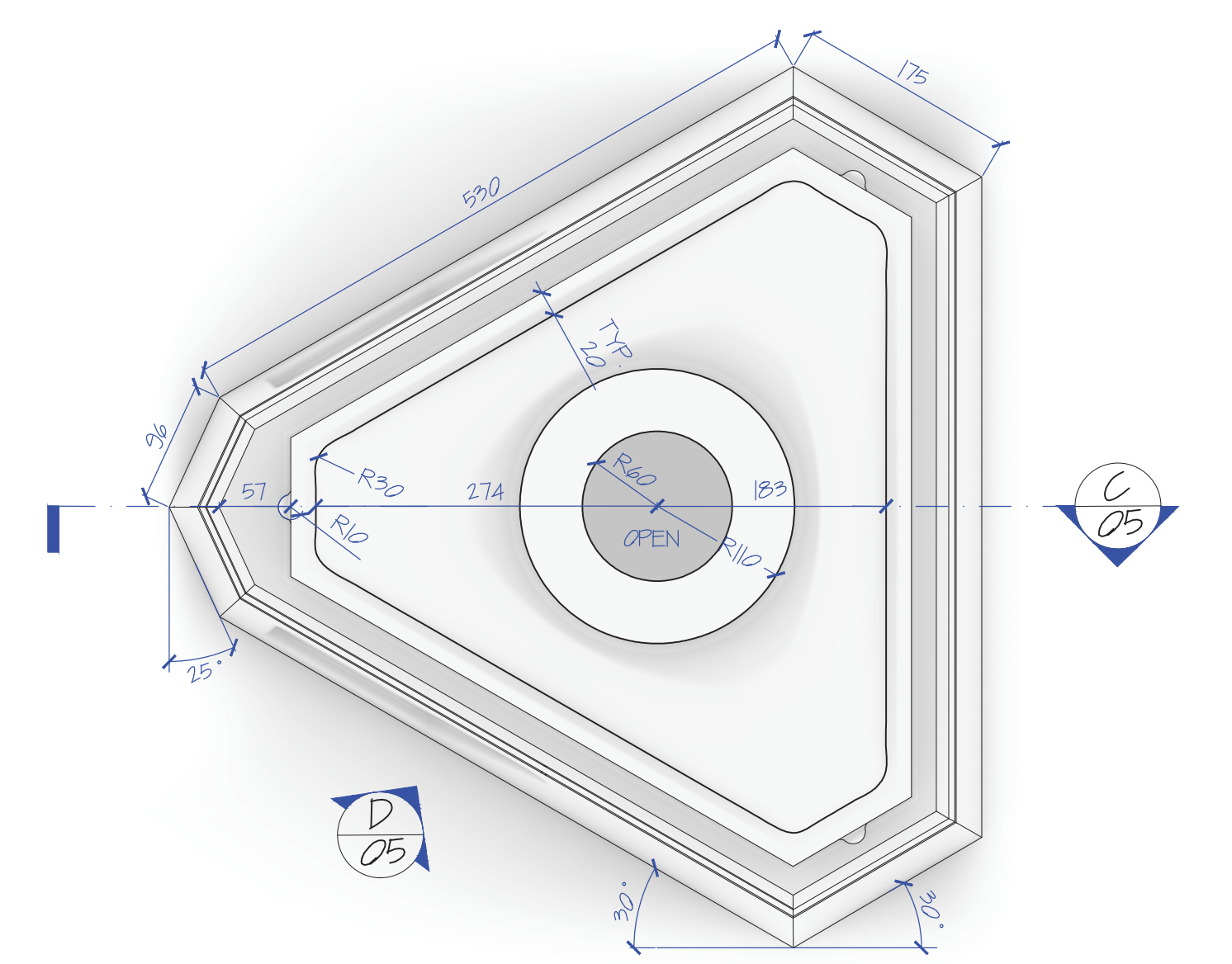
01 TAIL - TOP VIEW  
SC: 1/10



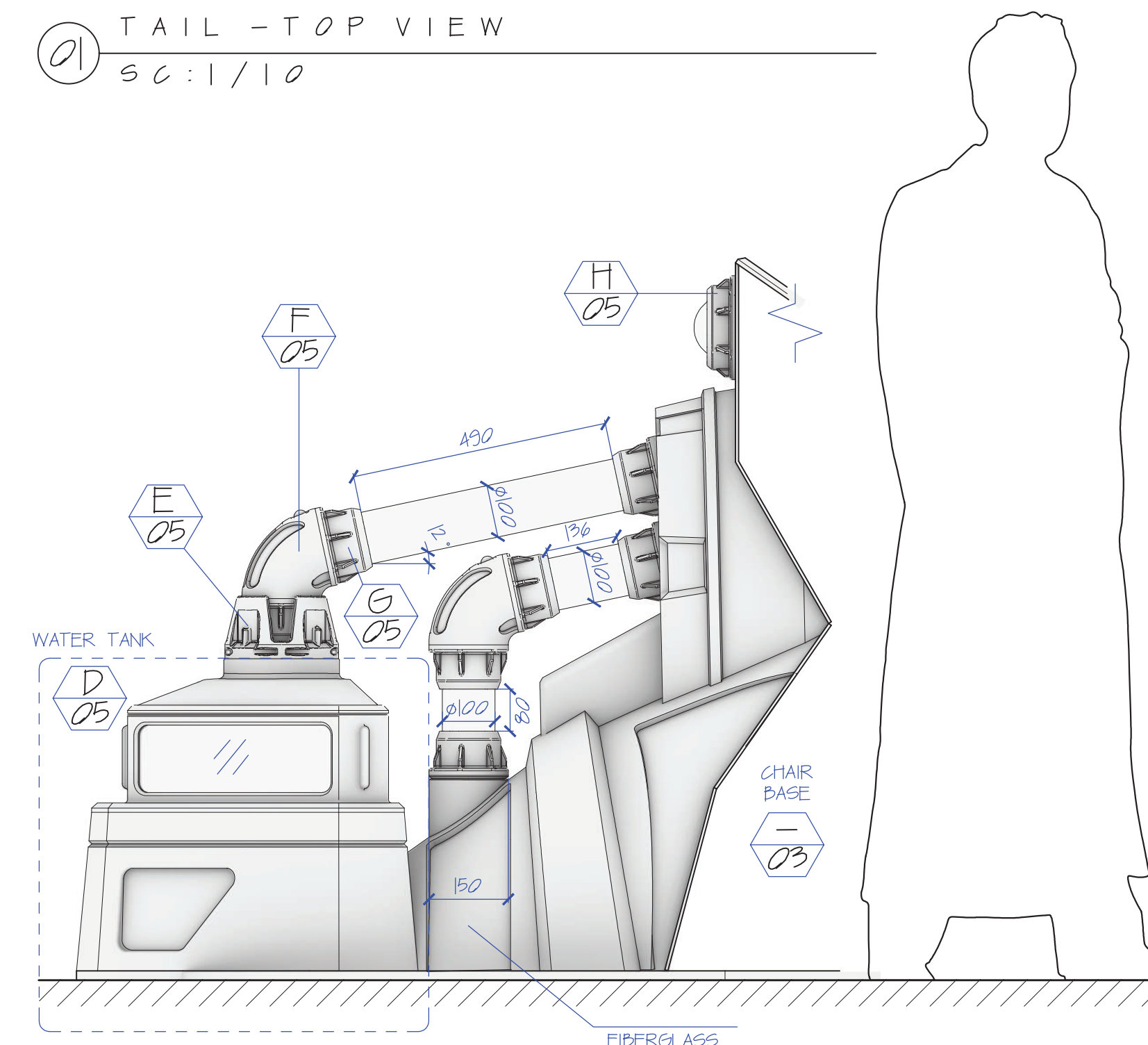
02 TAIL - FOOTPRINT  
SC: 1/10



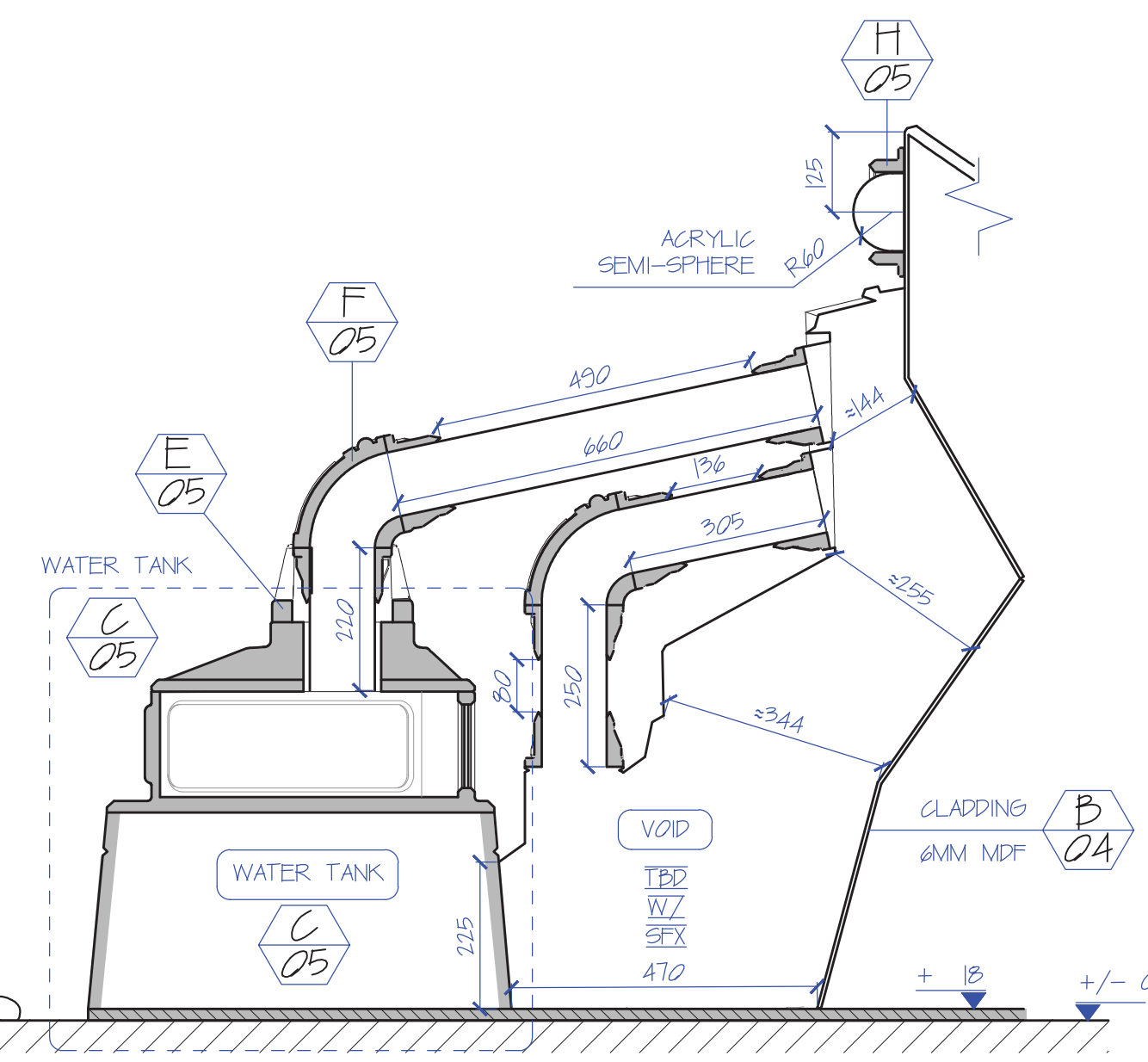
0 TAIL - MODEL VIEW  
SC: N/A



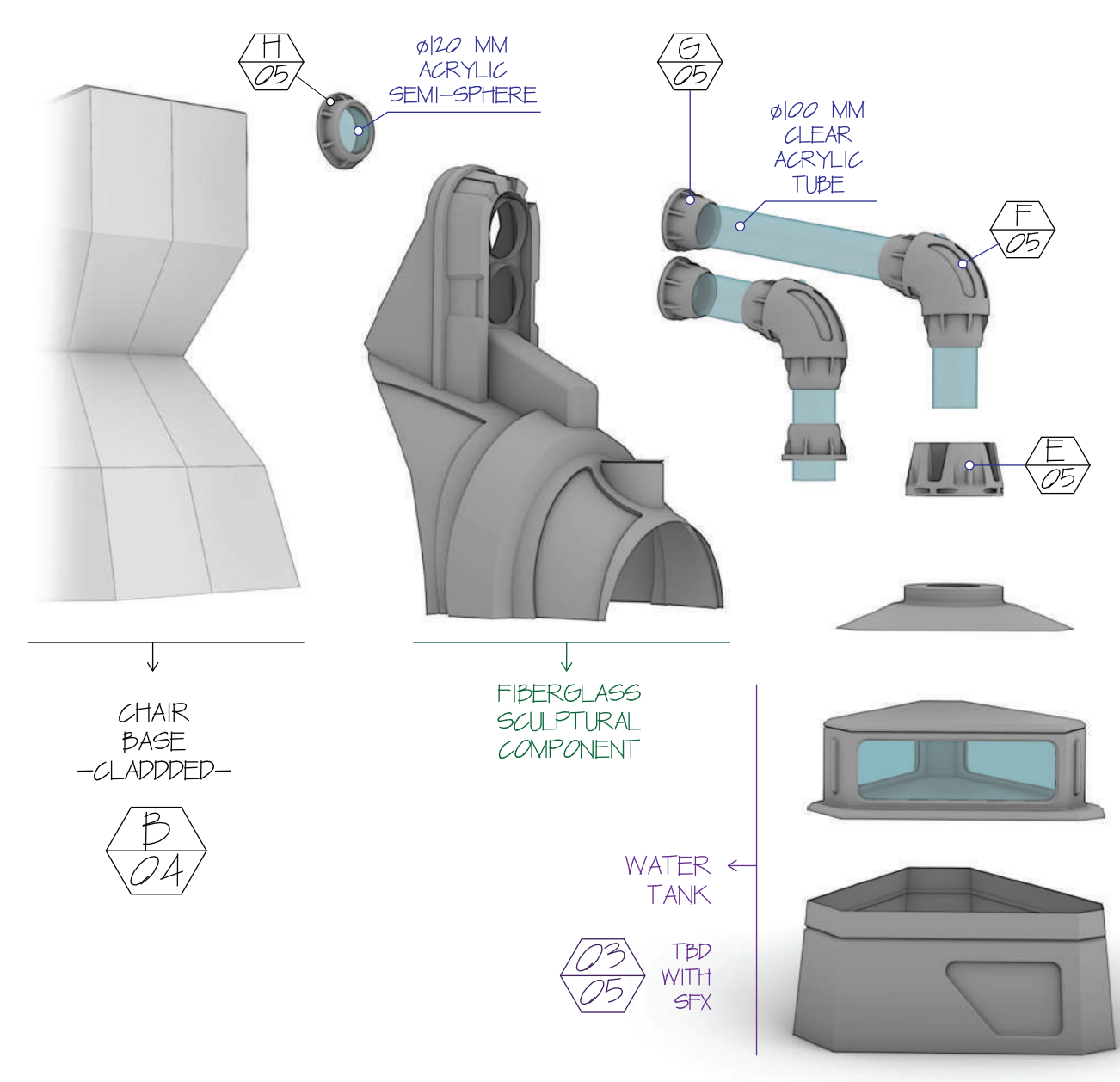
03 WATER TANK - PLAN  
SC: 1/5



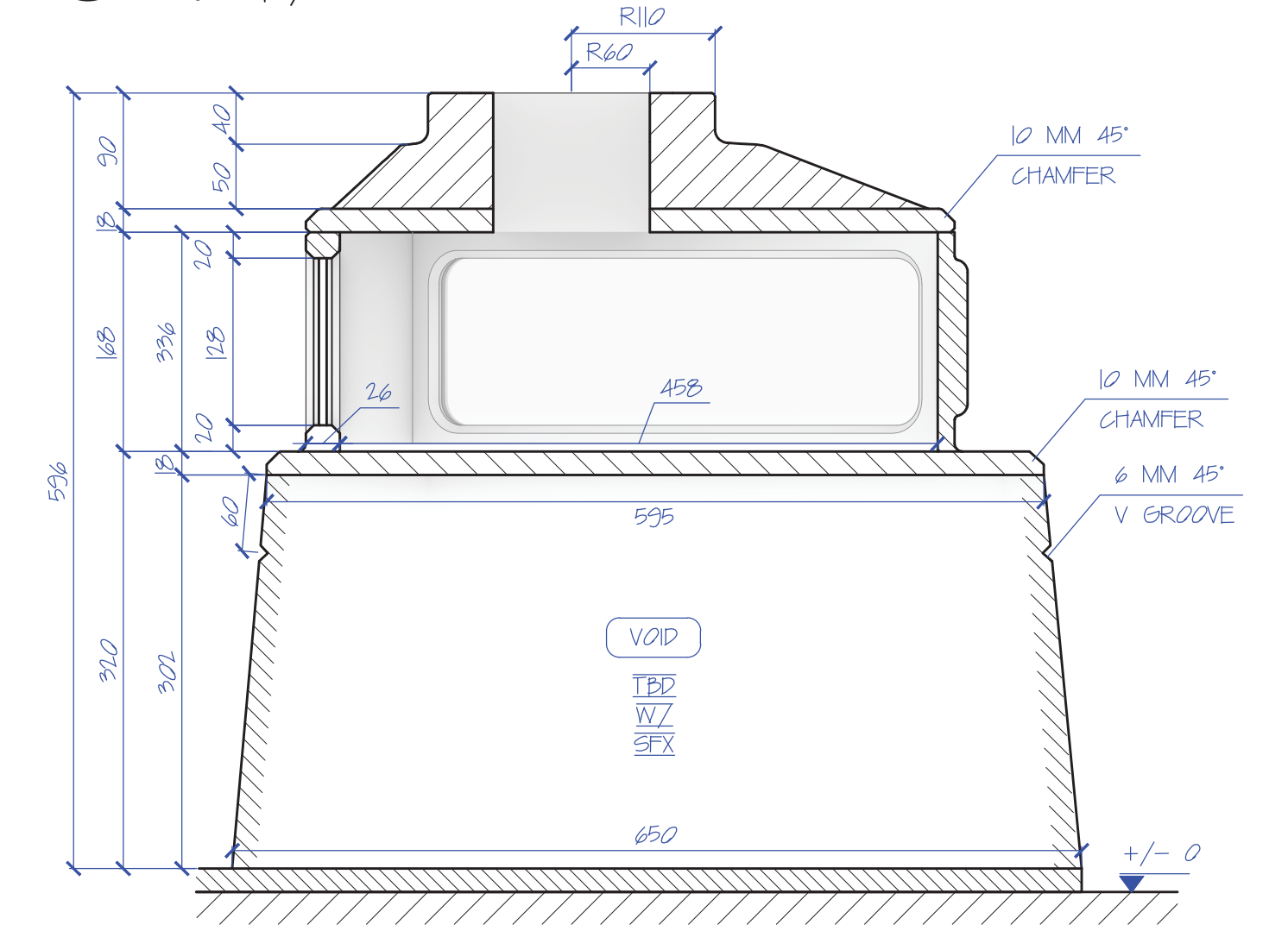
A TAIL - ELEVATION  
SC: 1/10



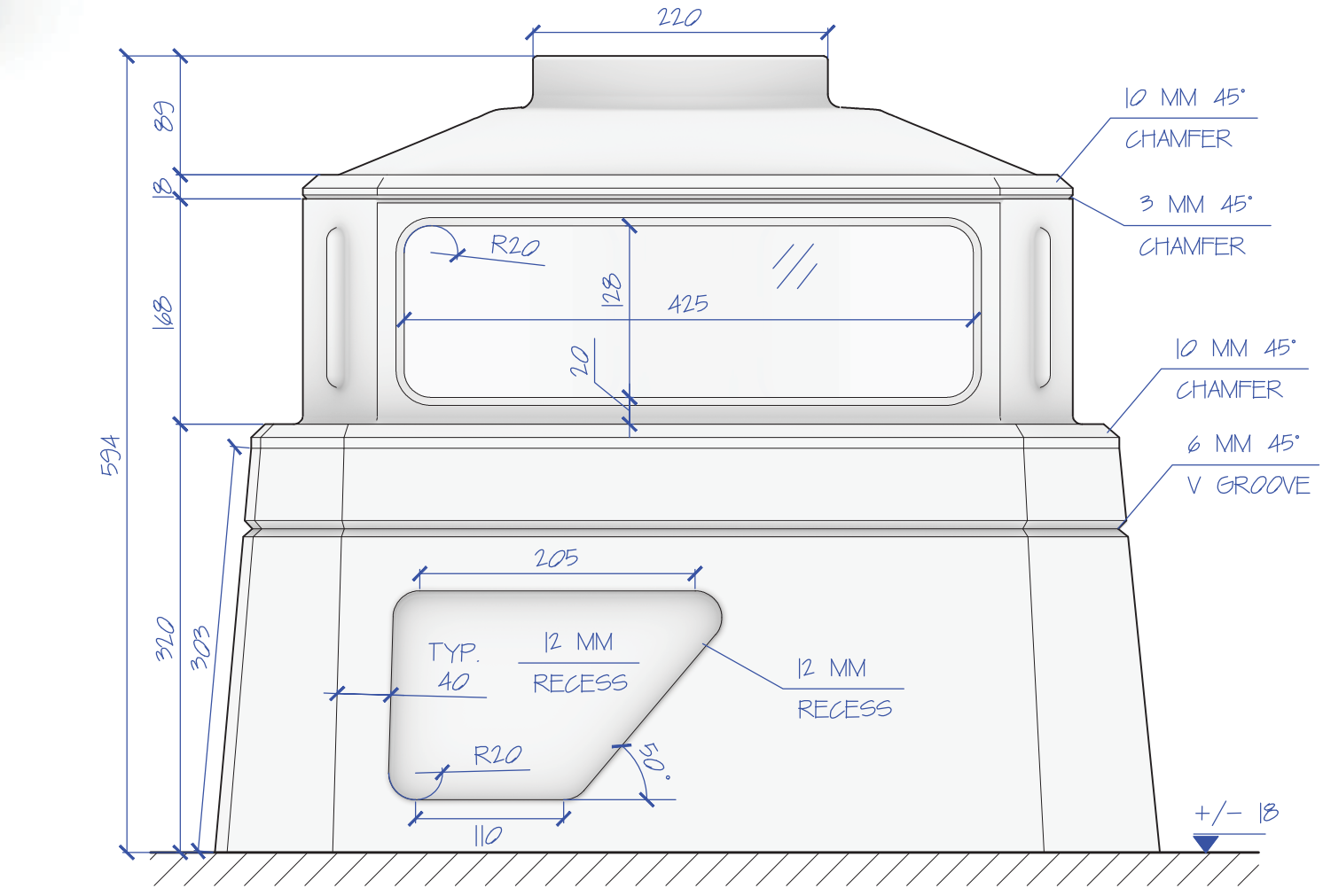
B TAIL - SECTION  
SC: 1/10



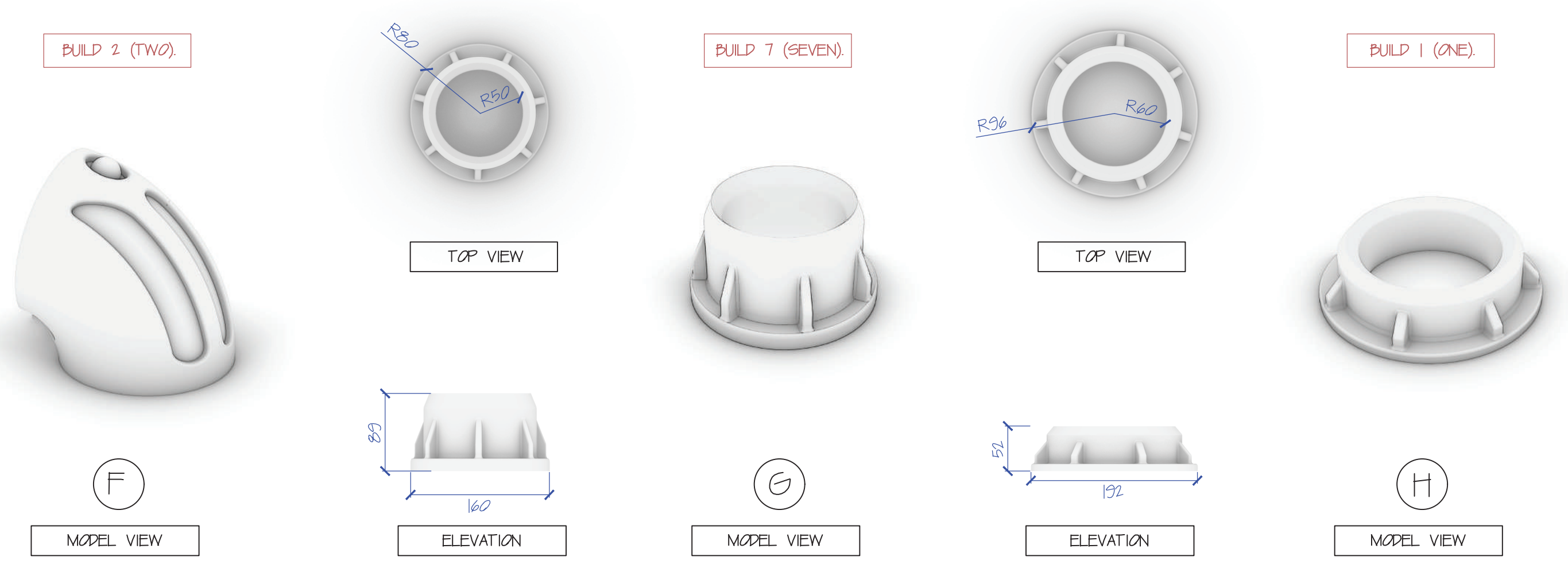
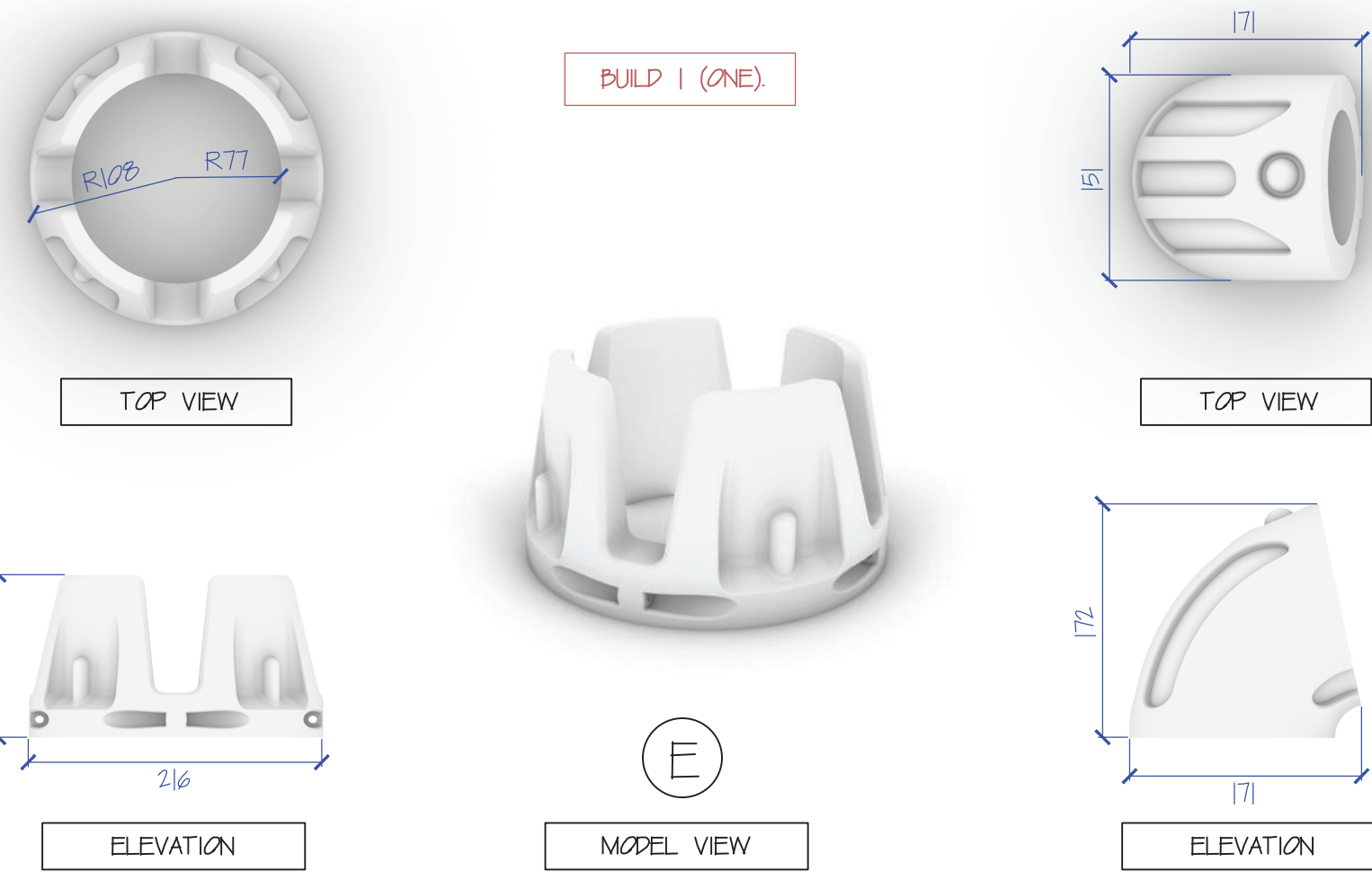
0 TAIL - MODEL VIEW  
SC: N/A



C WATER TANK - SECTION  
SC: 1/5



D WATER TANK - ELEVATION  
SC: 1/5



0 PIPE FITTINGS  
SC: 1/5

NOTES:

- DXF FILES AND MODEL WILL BE PROVIDED.
- WATER TANK AND WATER CIRCULATION IS TO BE DISCUSSED WITH SFX.
- HALF-SPHERE ACRYLIC IS TO BE DISCUSSED.

The Bridge		EP CODESET NO. DRAWING NO.
SER:	GHOSH SHIP - PILOT CHAIR	012-3008-005
DETAILS:	TAIL & WATER TANK	SCALE: 1/10 @ A1
DRAWN BY:	HAKAN Y	DATE ISSUED:
DATE DRAWN:	13/06/22	DATE REVISED:
DIRECTOR:		PRODUCTION DESIGNER:
DESIGNER:		PHIL SIMS
CHECKER:		
LOCATION:		
HEALTH & SAFETY:		
PRODUCTION:		
APPROVAL:		
	PRODUCTION DESIGNER:	PHIL SIMS
	B.O.P.	