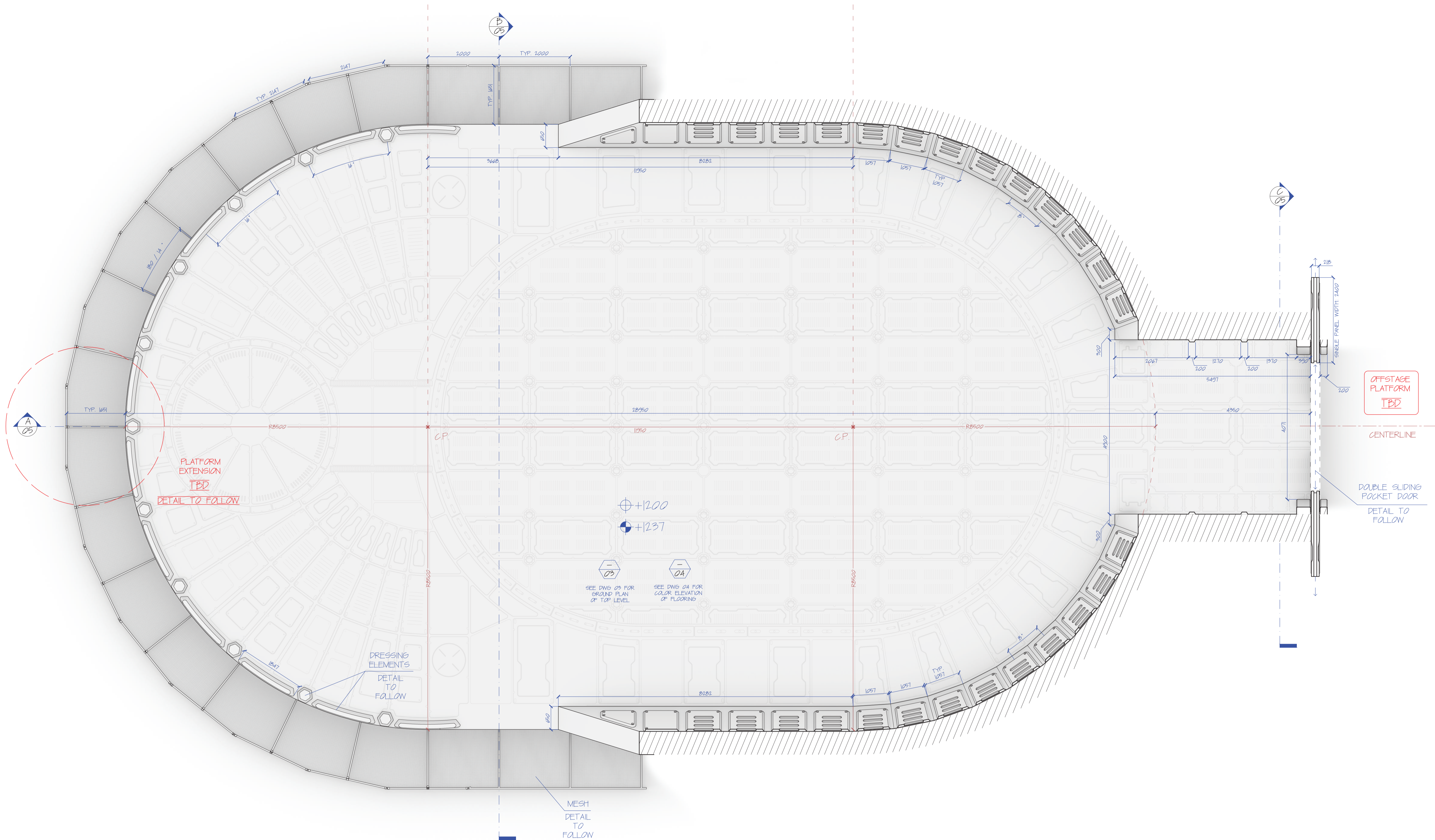


MODEL VIEWS  
SC: 1/100

SETTING PLAN @ 2100MM  
SC: 1/100

- NOTES:
- FLOORING DETAIL IS NOT INCLUDED DRAWING TO FOLLOW.
  - DOUBLE SLIDING DOOR AND GANGPLANK DETAILS TO FOLLOW.
  - PLEASE SEE DWG 02 AND 03 FOR GROUND PLANS FOR TWO LEVELS.
  - PLEASE SEE DWG 04 FOR SECTIONS / ELEVATIONS.
  - GREEN SCREEN PLACEMENT IS TBD.

The Bridge		PROJECT NUMBER
IB2160	LOCATION	012-3008-001
SETTING PLAN	SCALE	1:100 @ 0.40
DRAWN BY	DATE	18/05/22
CHECKED BY	DATE	
APPROVED BY	DATE	
PROJECT MANAGER	DATE	
PRODUCTION MANAGER	DATE	



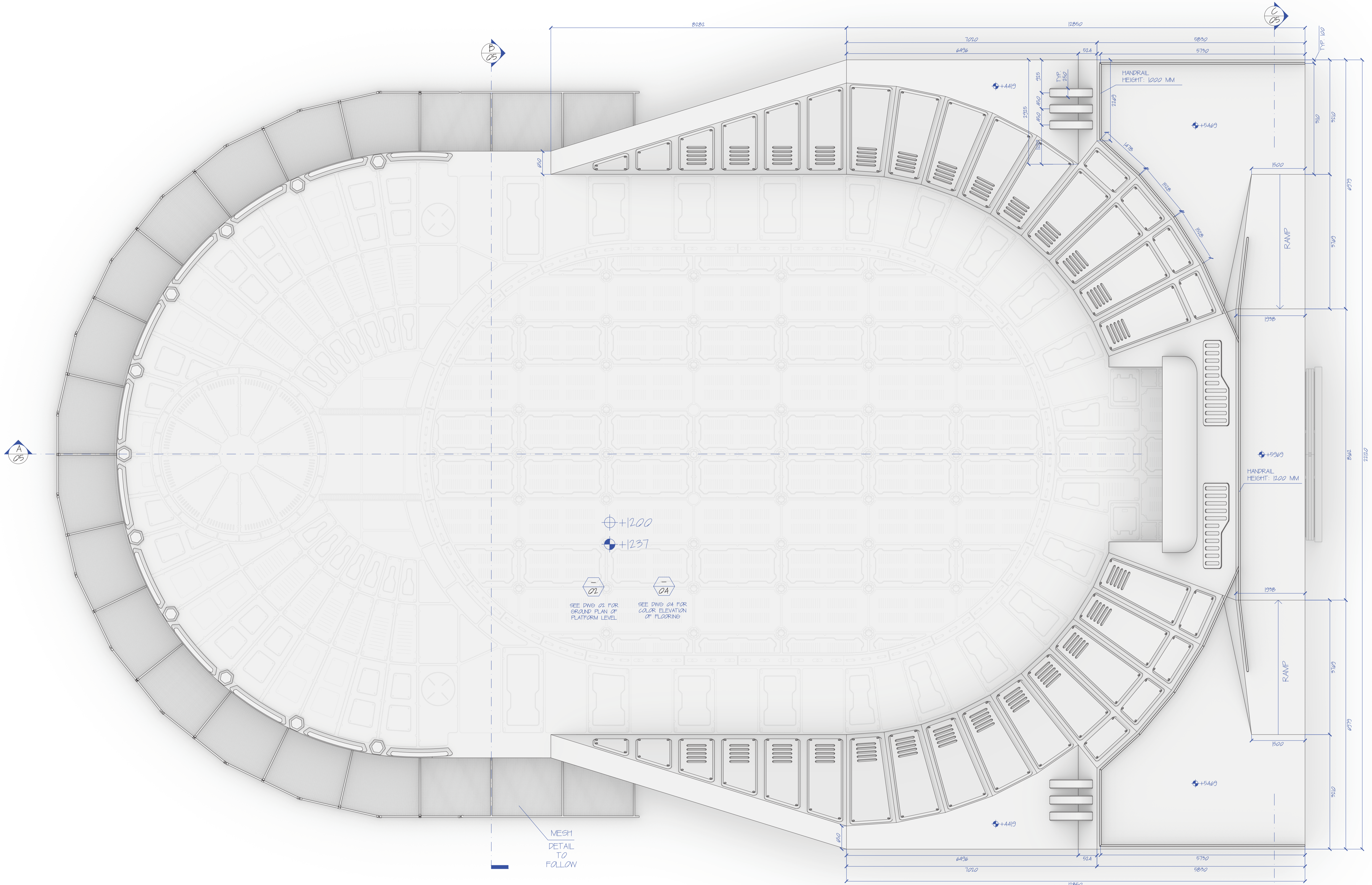
GROUND PLAN  
SC: 1/50

NOTES:

- DIGITAL FILES FOR CNC WILL BE PROVIDED.
- DIGITAL FILES FOR STENCIL WILL BE PROVIDED.
- GRAPHICS FOR DETAILS WILL BE PROVIDED.
- WALLS AND THE DOOR ARE **TBD**.

**PRELIMINARY**

<b>The Bridge</b>		012-3008-002
REF:	LOCATION / EDGE:	
HELIPAD	BACKLOT	
DETAILS:	SCALE:	
GROUND PLAN - PLATFORM LEVEL	1:50 @ A1	
DRAWN BY:	DATE DRAWN:	DATE ISSUED:
HAKAN Y	12/05/22	
DIRECTOR:	PRODUCTION DESIGNER:	
	Phil Sims	
DIRECTOR:	SET DEC:	
CAMERA:	PROP:	
LIGHTING:	GRAPHICS:	
LOCATION:	CONSTRUCTION:	
HEALTH & SAFETY:	FX:	
PRODUCTION:	FX:	
ARTIST:	RIGGERS:	
APPROVAL:	PRODUCTION DESIGNER:	
	Phil Sims	
	BQP:	

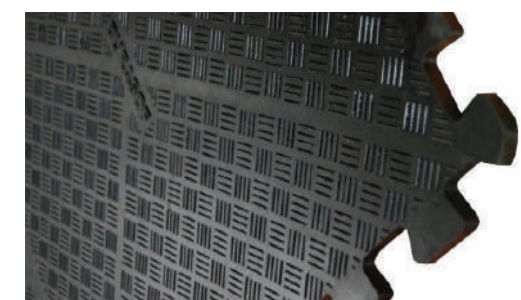


TOP VIEW  
SC: 1/50

- NOTES:
- DIGITAL FILES FOR CNC WILL BE PROVIDED.
  - DIGITAL FILES FOR STENCIL WILL BE PROVIDED.
  - GRAPHICS FOR DETAILS WILL BE PROVIDED.
  - WALLS AND THE DOOR ARE **TBD**.

**PRELIMINARY**

<b>The Bridge</b>		012-3008-003
REF: HELIPAD	LOCATION/EDGE: BACKLOT	
DETAILS: GROUND PLAN - TOP LEVEL	SCALE: 1/50 @ A1	
DRAWN BY: HAKAN Y	DATE DRAWN: 12/05/22	DATE ISSUED: / /
DIRECTOR:	PRODUCTION DESIGNER: Phil Sims	
DIRECTOR:	SET/DEC:	
CAMERA:	PROP:	
LIGHTING:	GRAPHICS:	
LOCATION:	CONSTRUCTION:	
HEALTH & SAFETY:	SVK:	
PRODUCTION:	SVK:	
ARTWORK:	RIGGERS:	
APPROVAL:	PRODUCTION DESIGNER: Phil Sims	
	BDP:	



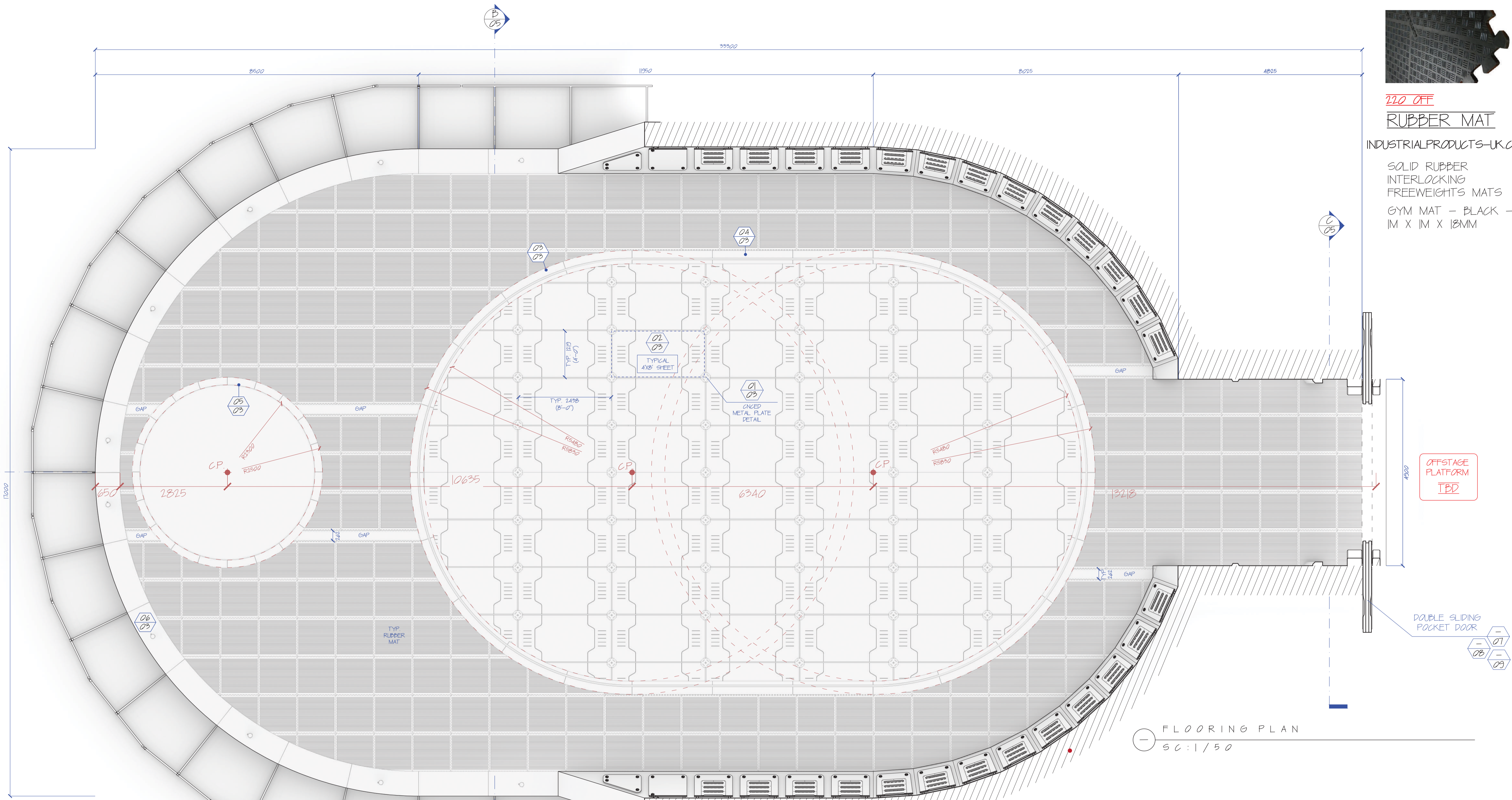
220 OFF

**RUBBER MAT**

INDUSTRIALPRODUCTS-UK.CO.UK

SOLID RUBBER  
INTERLOCKING  
FREEWEIGHTS MATS

GYM MAT - BLACK -  
1M X 1M X 18MM



OFFSTAGE  
PLATFORM  
TBD

DOUBLE SLIDING  
POCKET DOOR

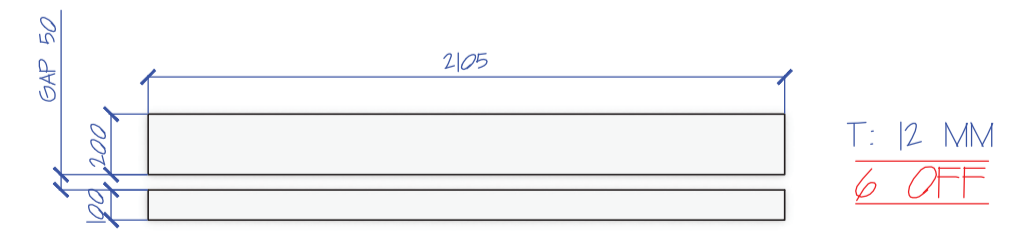
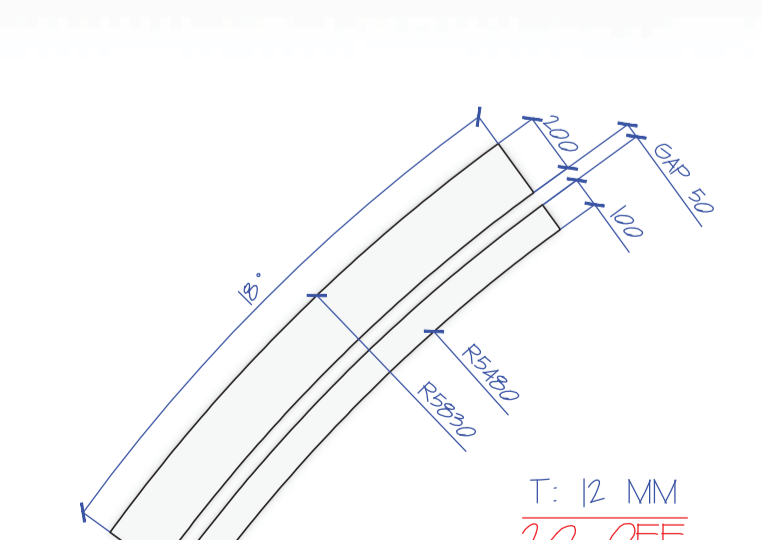
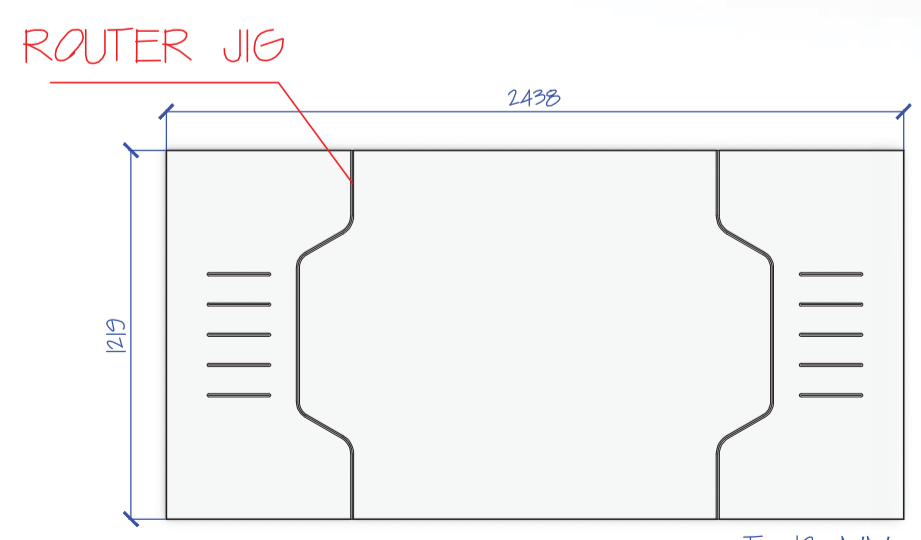
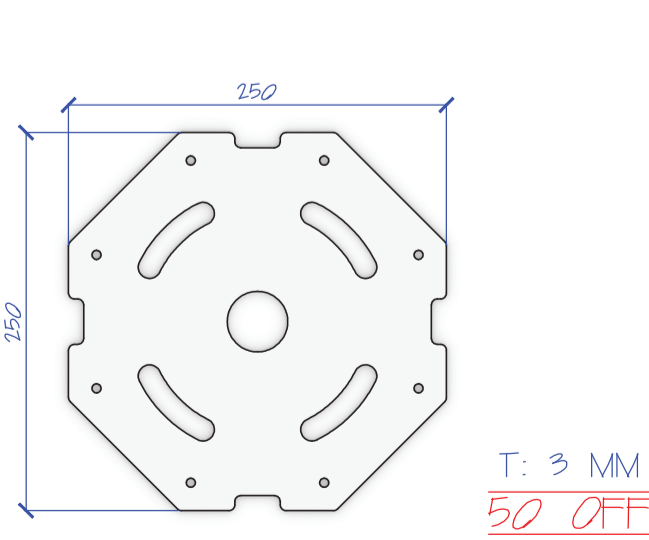
FLOORING PLAN  
SC: 1/50

- INSTALLMENT ORDER:**
1. FIND CENTERLINE AND CENTER POINTS.
  2. MARK CAPSULE SHAPED AND CIRCLE ZONES.
  3. START WITH THE AREA WITH 4'x8' SHEETS AND RADIAL DETAILS AROUND IT.
  4. CONTINUE WITH RUBBER MATS TOWARD PLATFORM EDGES.

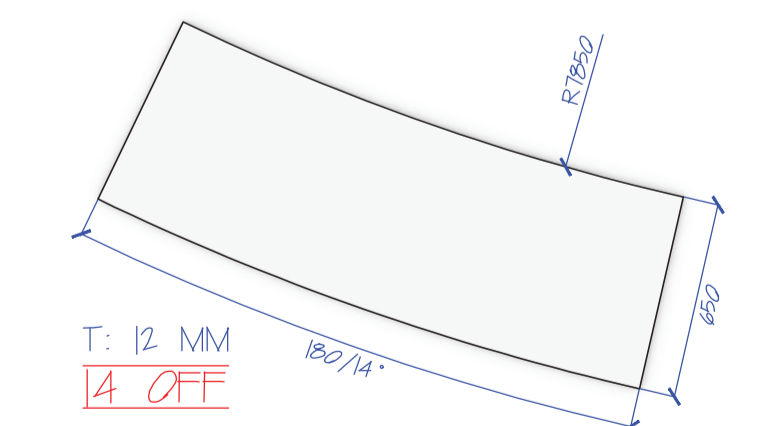
**NOTES:**

- DIGITAL FILES FOR CNC WILL BE PROVIDED.
- DIGITAL FILES FOR STENCIL WILL BE PROVIDED.
- GRAPHICS FOR DETAILS WILL BE PROVIDED.

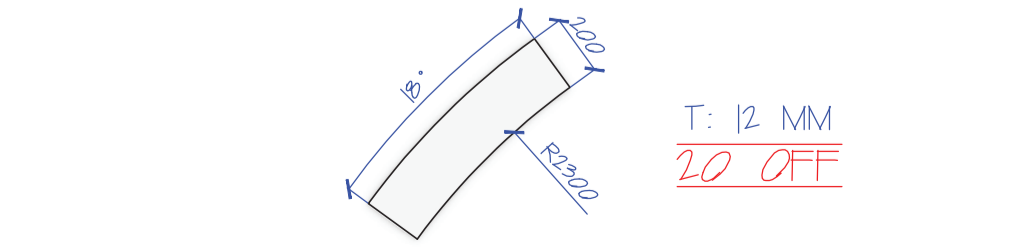
The Bridge		012-3008-003	
REV:	HELP/ID	LOCATION/ EDGE:	BACKLOT
DETAILS:	FLOORING PLAN	SCALE:	1/50 @ A1
DRAWN BY:	HAKAN Y	DATE ISSUED:	19/05/22
DATE DRAWN:	19/05/22	DATE REVIEW:	
DIRECTOR:		PRODUCTION DESIGNER:	Phil Sims
CAMERA:		SET DEC:	
LOCATION:		PROP:	
HEALTH & SAFETY:		GRAPHICS:	
PRODUCTION:		CONSTRUCTION:	
SAFETY:		STX:	
APPROVAL:		ISSUES:	
		PRODUCTION:	
		PRODUCTION DESIGNER:	Phil Sims
		BDP:	



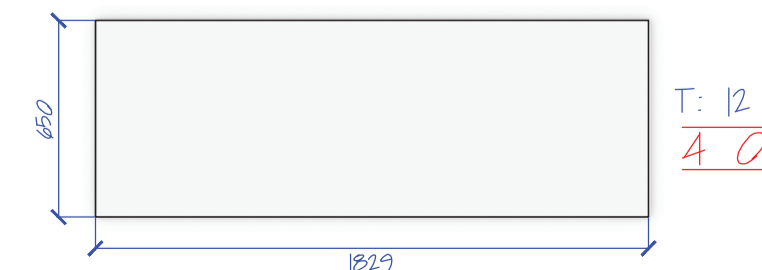
04 STRAIGHT PANEL 01  
SC: 1/25



06 RADIAL PANEL 03  
SC: 1/25



05 RADIAL PANEL 02  
SC: 1/25

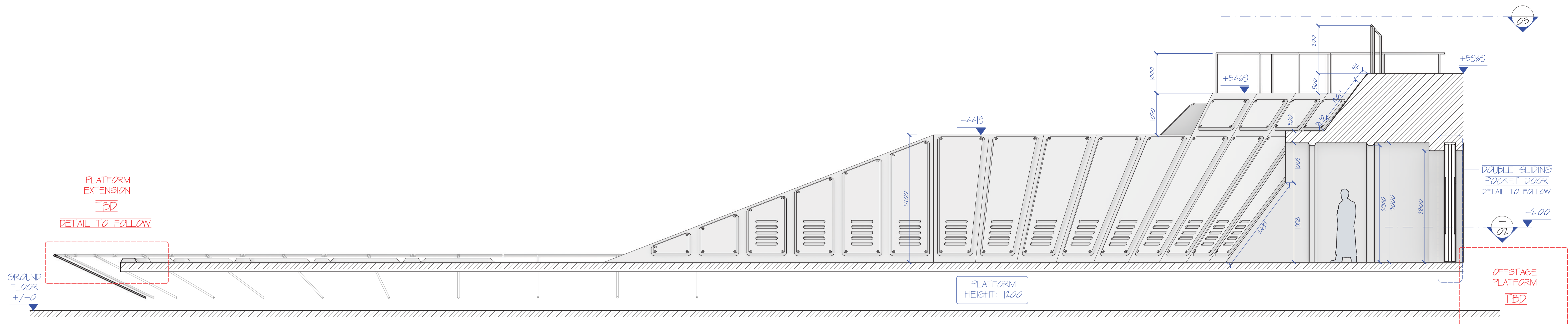


07 STRAIGHT PANEL 03  
SC: 1/25

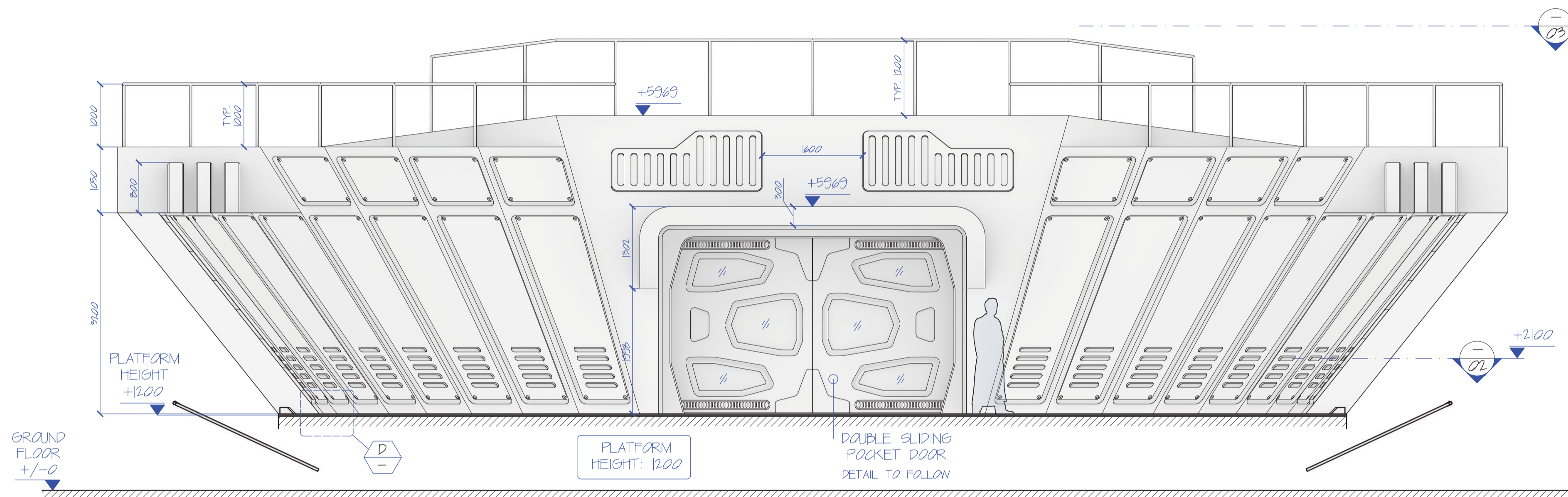
01 METAL PLATE  
SC: 1/5

02 4'x8' SHEET  
SC: 1/25

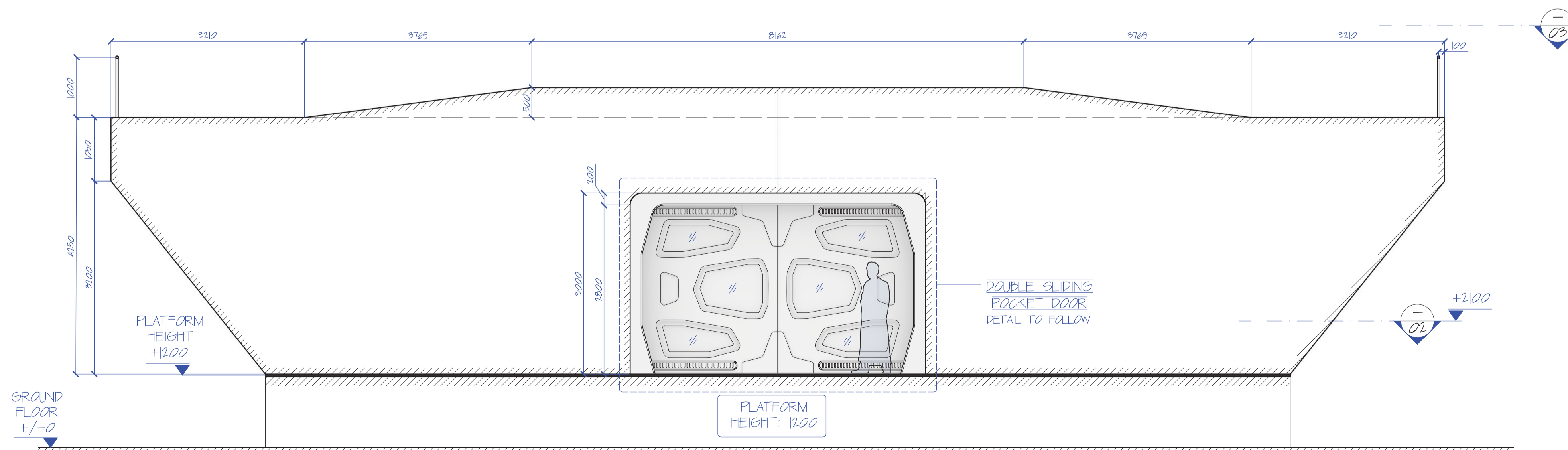
03 RADIAL PANEL 01  
SC: 1/25



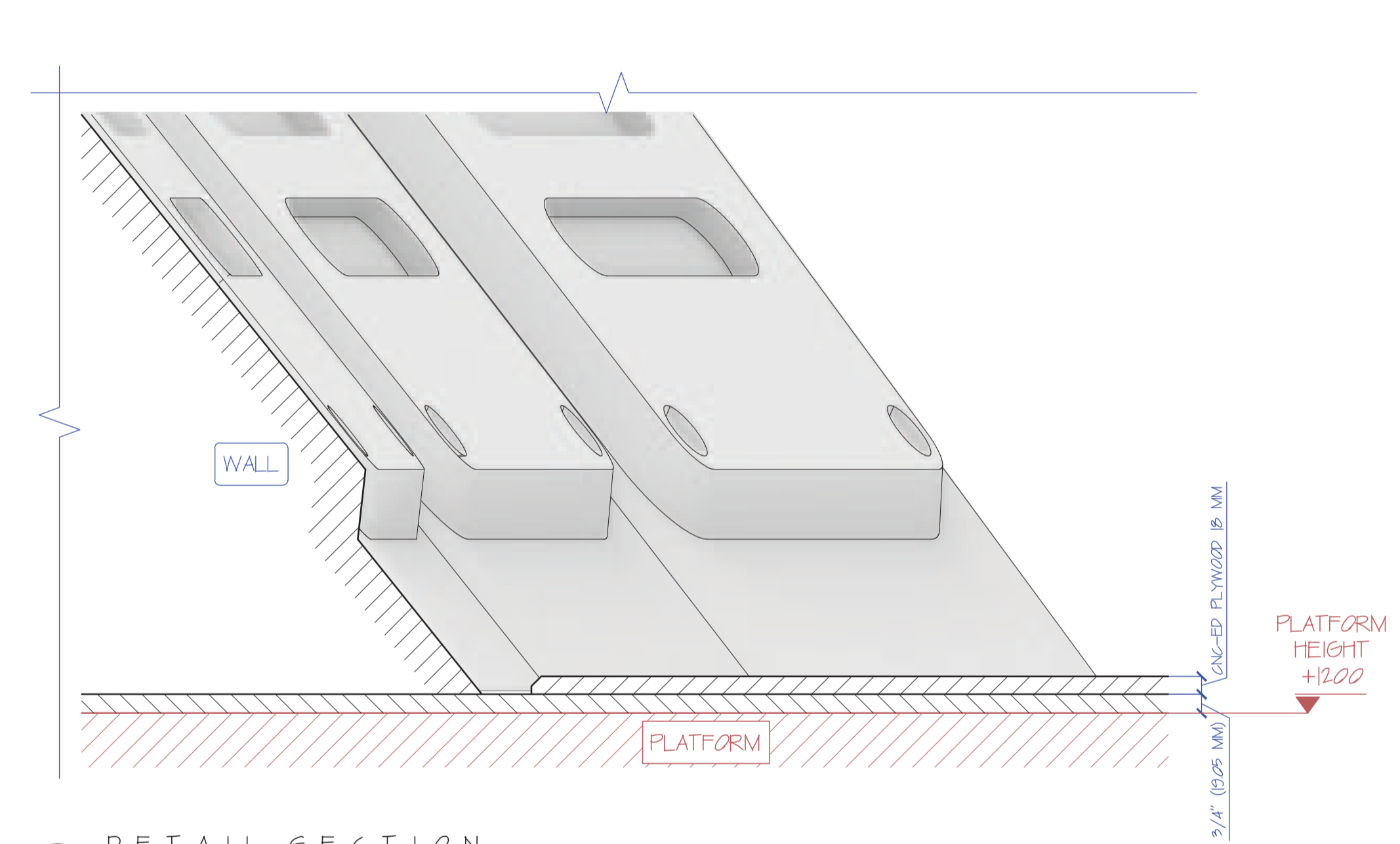
A SECTION ELEVATION  
SC: 1/50



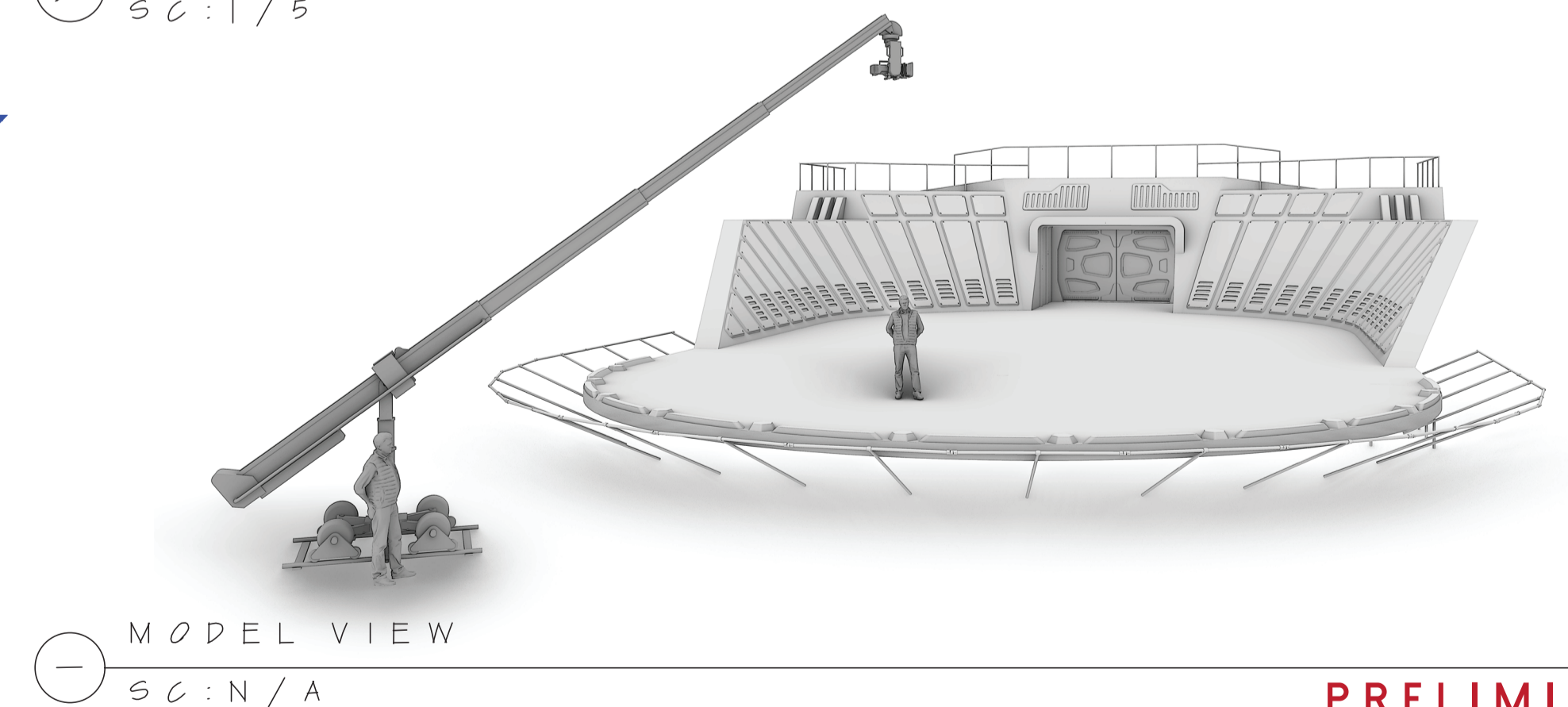
B SECTION ELEVATION  
SC: 1/50



C SECTION ELEVATION  
SC: 1/50



D DETAIL SECTION  
SC: 1/5



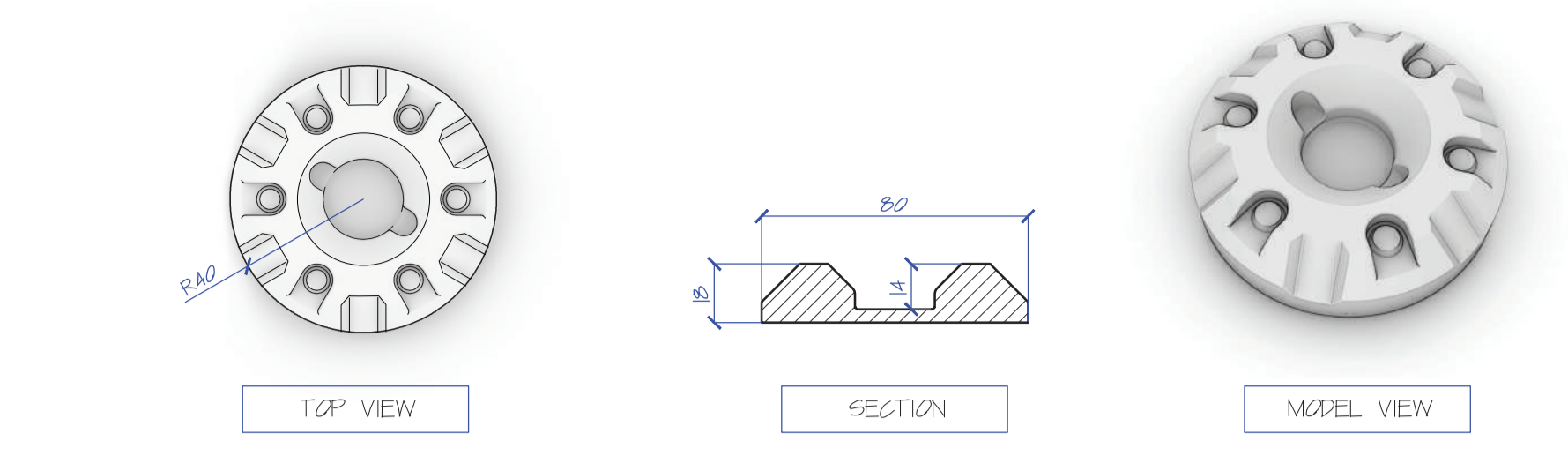
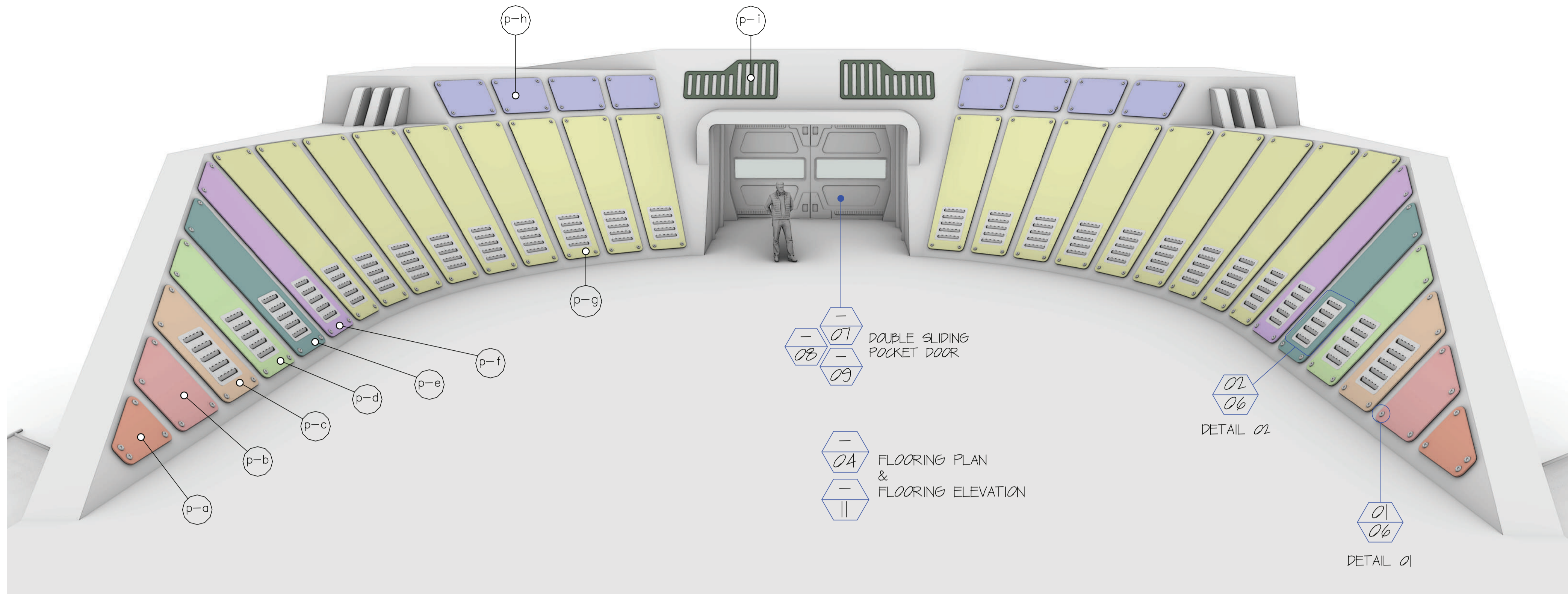
MODEL VIEW  
SC: N/A

NOTES:

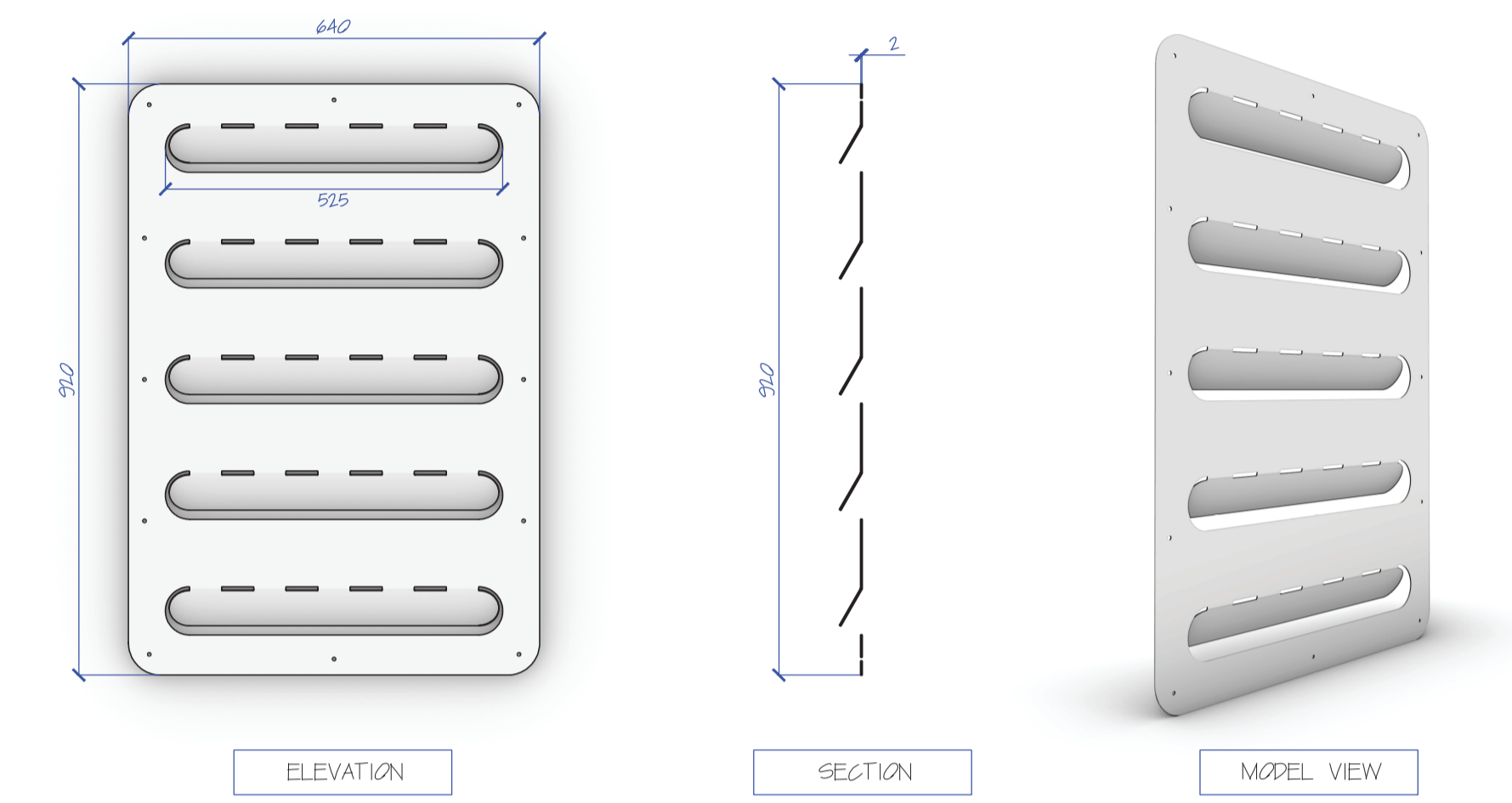
- PLATFORM EXTENSION AND OFFSTAGE PLATFORM BEHIND THE DOOR IS **TBD**. DETAIL TO FOLLOW.
- DOOR IS **TBD**. DETAIL TO FOLLOW.
- IN MODEL VIEW, FLOORING DETAIL (LACED AND PAINTED) IS NOT INCLUDED. SEE DWG 003.

**PRELIMINARY**

The Bridge 012-3008-005	
SET: HELPAD	LOCATION/EDGE: BACKLOT
DETAILS: SECTION ELEVATIONS	SCALE: 1/50 @ A1
DRAWN BY: HAKAN Y	DATE DRAWN: 12/05/22
DIRECTOR: HAKAN Y	PRODUCTION DESIGNER: Phil Sims
DIRECTOR: HAKAN Y	SET DEC: HAKAN Y
CAMERA: HAKAN Y	PROP: HAKAN Y
LOCATION: HAKAN Y	CONSTRUCTION: HAKAN Y
HEALTH & SAFETY: HAKAN Y	SVK: HAKAN Y
PRODUCTION: HAKAN Y	STX: HAKAN Y
APPROVAL: HAKAN Y	PRODUCTION DESIGNER: Phil Sims
	BDP: HAKAN Y

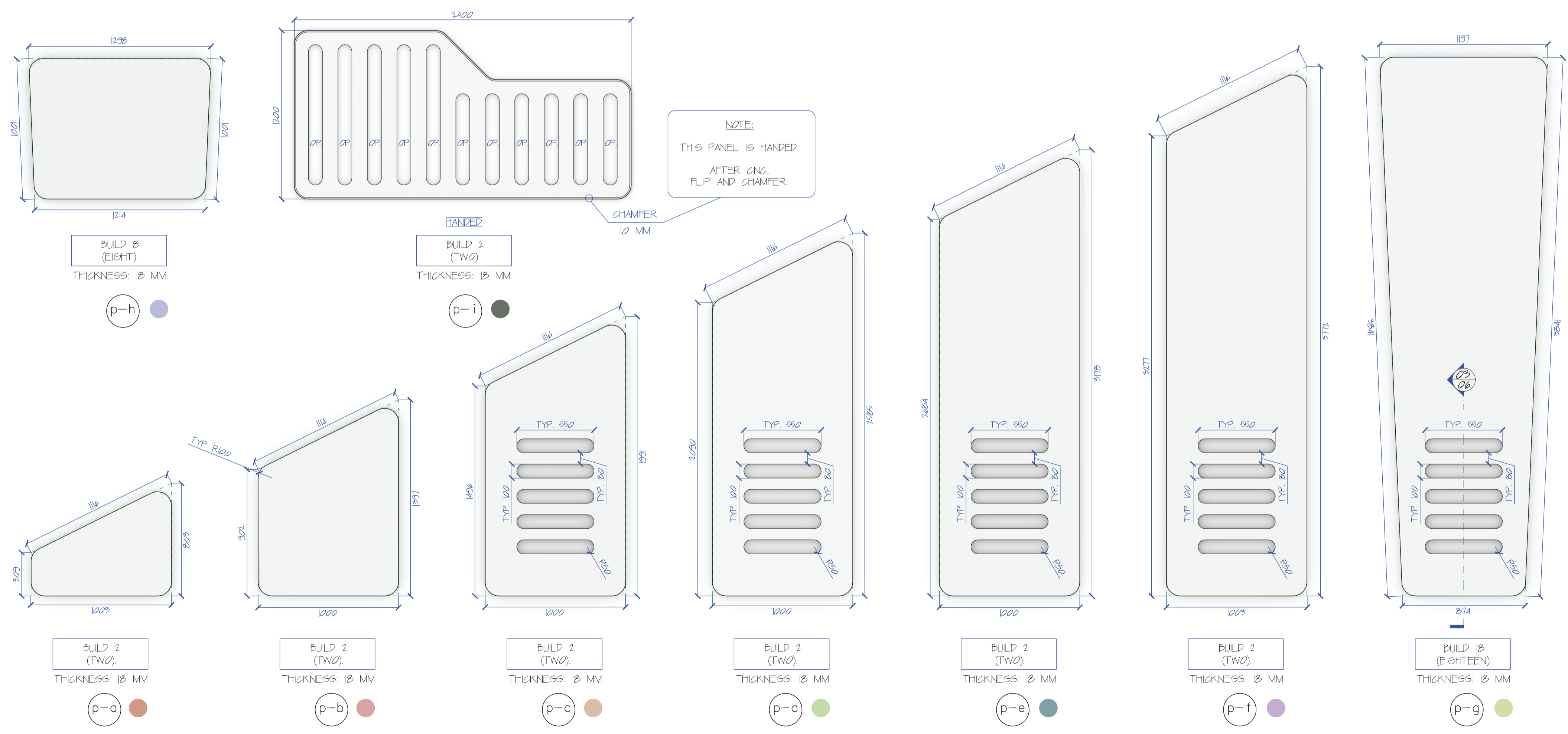


01 DETAIL 01 - 3D PRINT  
SC: 1/2 152 OFF -

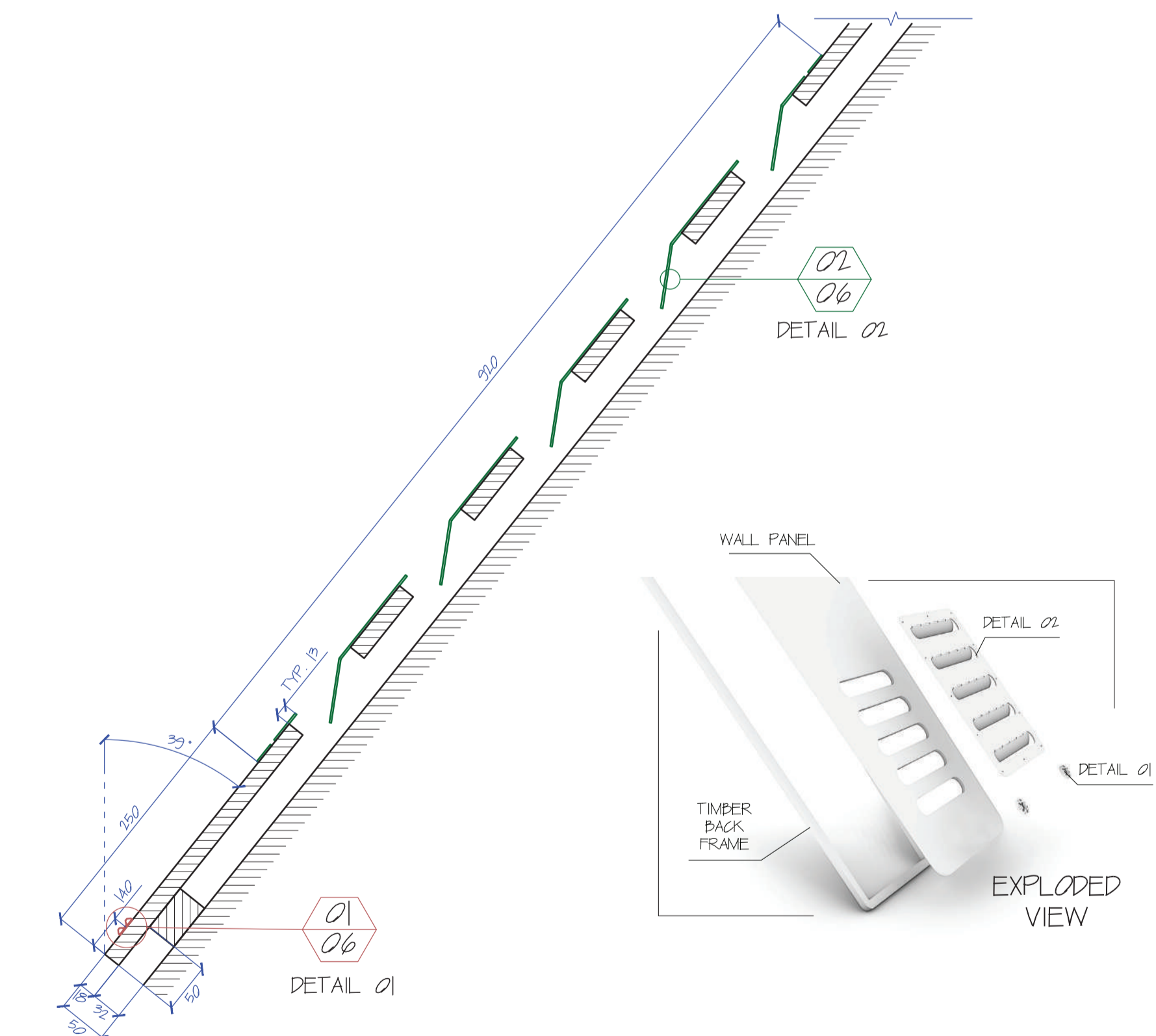


02 DETAIL 02 - FOLDED ALUMINIUM  
SC: 1/10 26 OFF -

03 MODEL VIEW - WALL PANELS - COLOR CODED  
SC: N/A



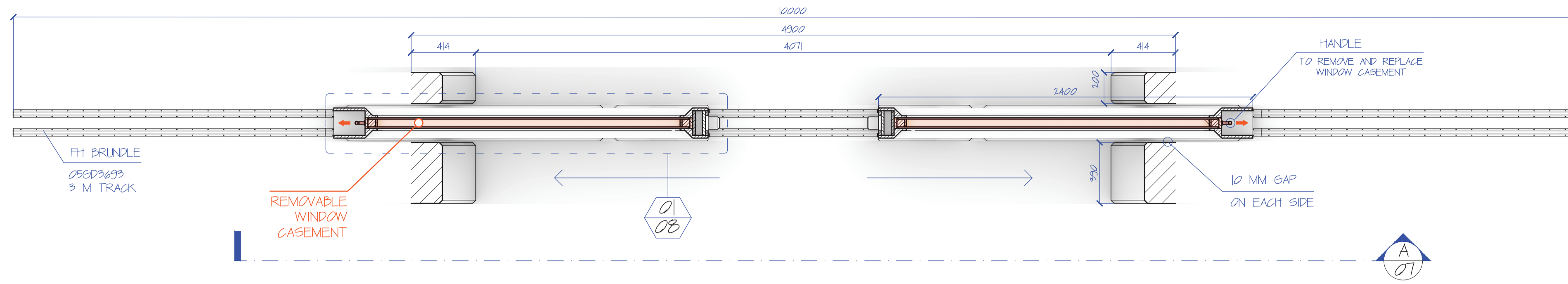
04 WALL PANELS - FLAT ELEVATIONS  
SC: 1/20



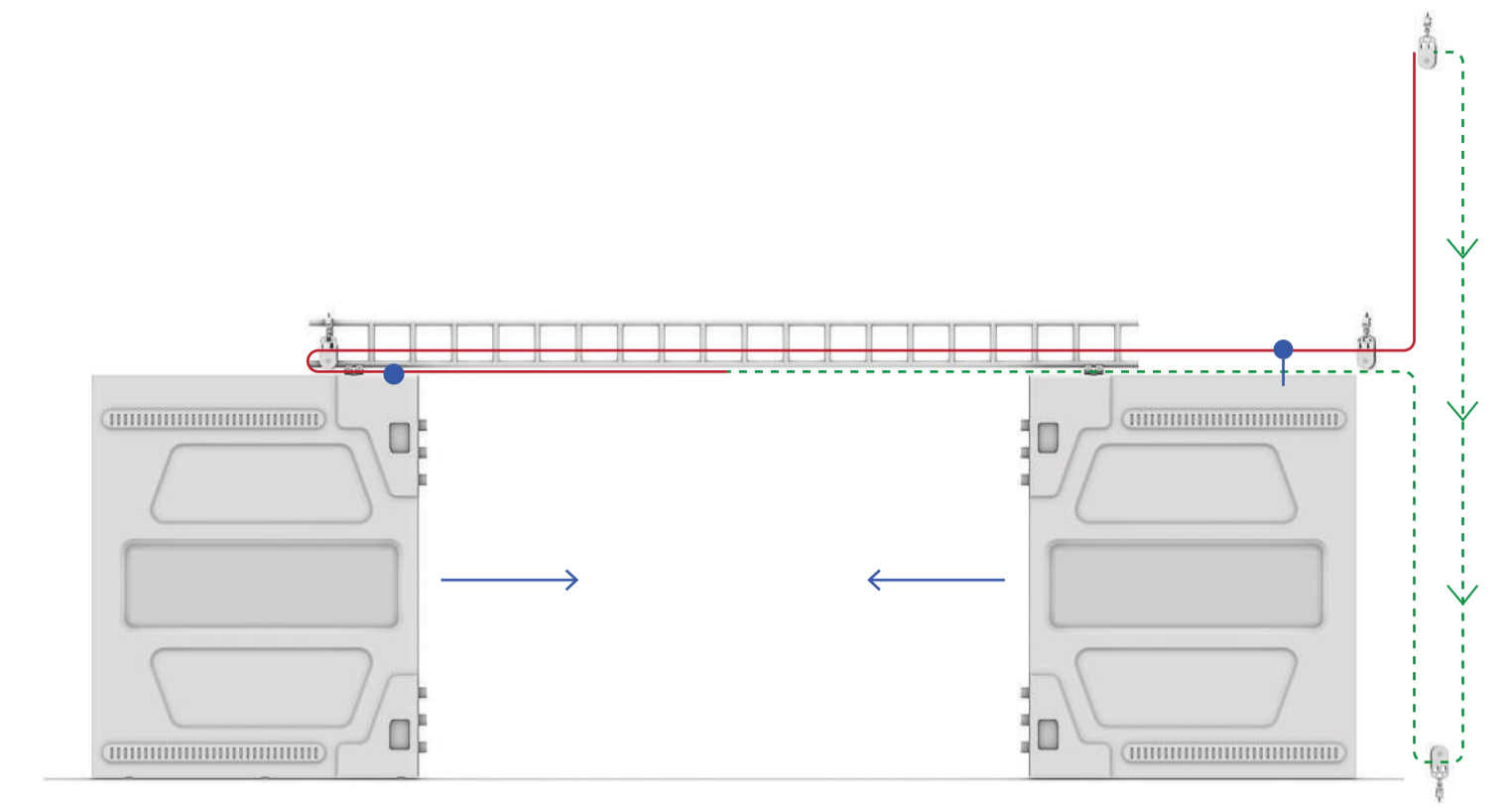
05 TYPICAL DETAIL SECTION  
SC: 1/4

- NOTES:
- DXF FILE FOR PANELS CAN BE PROVIDED, IF CNC IS PREFERRED.
  - DXF FILE FOR DETAIL 02 WILL BE PROVIDED.
  - DIGITAL FILE FOR DETAIL 01 WILL BE PROVIDED.
  - READ IT WITH DWG 05 - SECTION AND ELEVATIONS

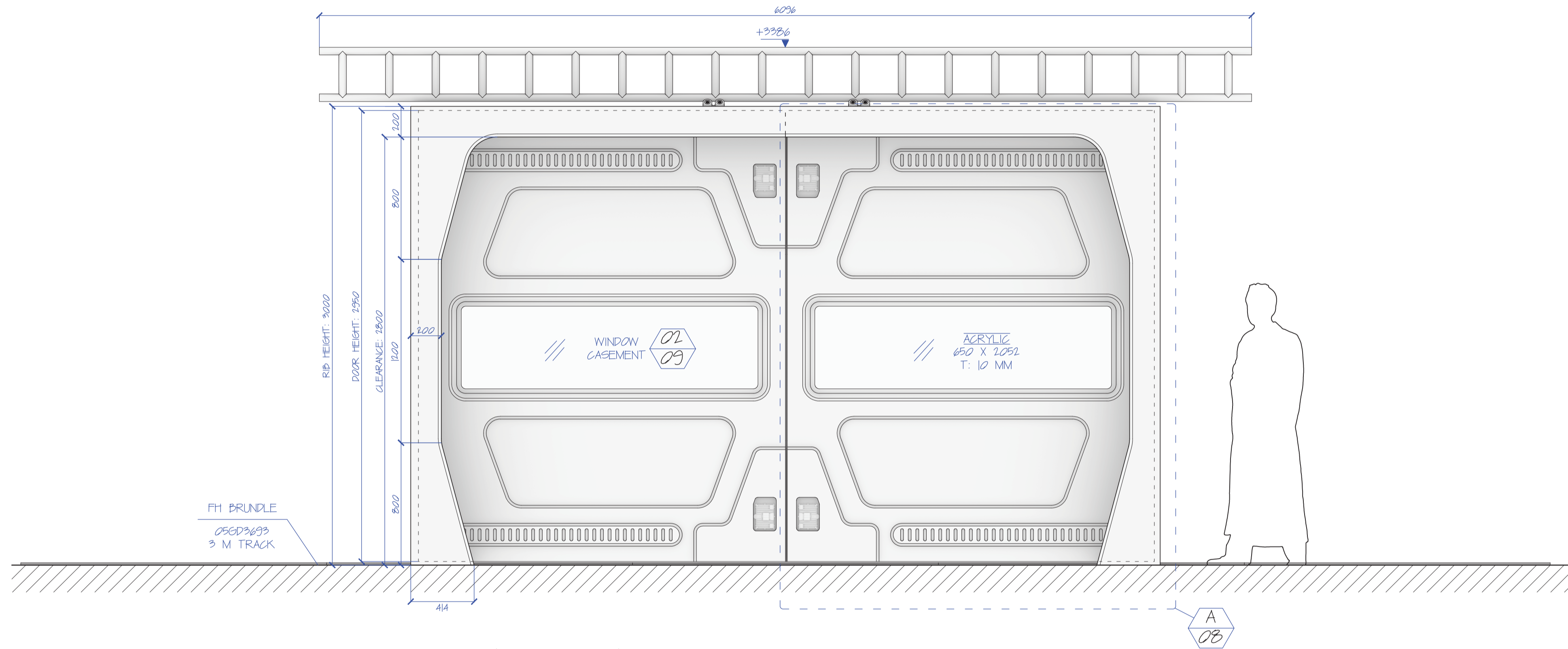
<b>The Bridge</b>		EP CODESET NO. DRAWING NO.
012-3008-006		
FOR HELP/AD	LOCATION/STAGE	BACKLOT
DETAILS: WALL PANELS - DETAILS	SCALE:	1/20 @ A1
DESIGNED BY: HAKAN Y	DATE DRAWN:	19/05/22
DRAWN BY:	DATE REVISION:	
DIRECTOR:	PRODUCTION DESIGNER:	Phil Sims
CHECKER:	SET DEC:	
LOCATIONING:	QUANTITY:	
LOCATION:	CONSTRUCTION:	
HEALTH & SAFETY:	SYK:	
PRODUCTION:	SPK:	
ART DEPT:	PROGERS:	
APPROVAL:	PRODUCTION DESIGNER:	Phil Sims
	D.O.P.:	



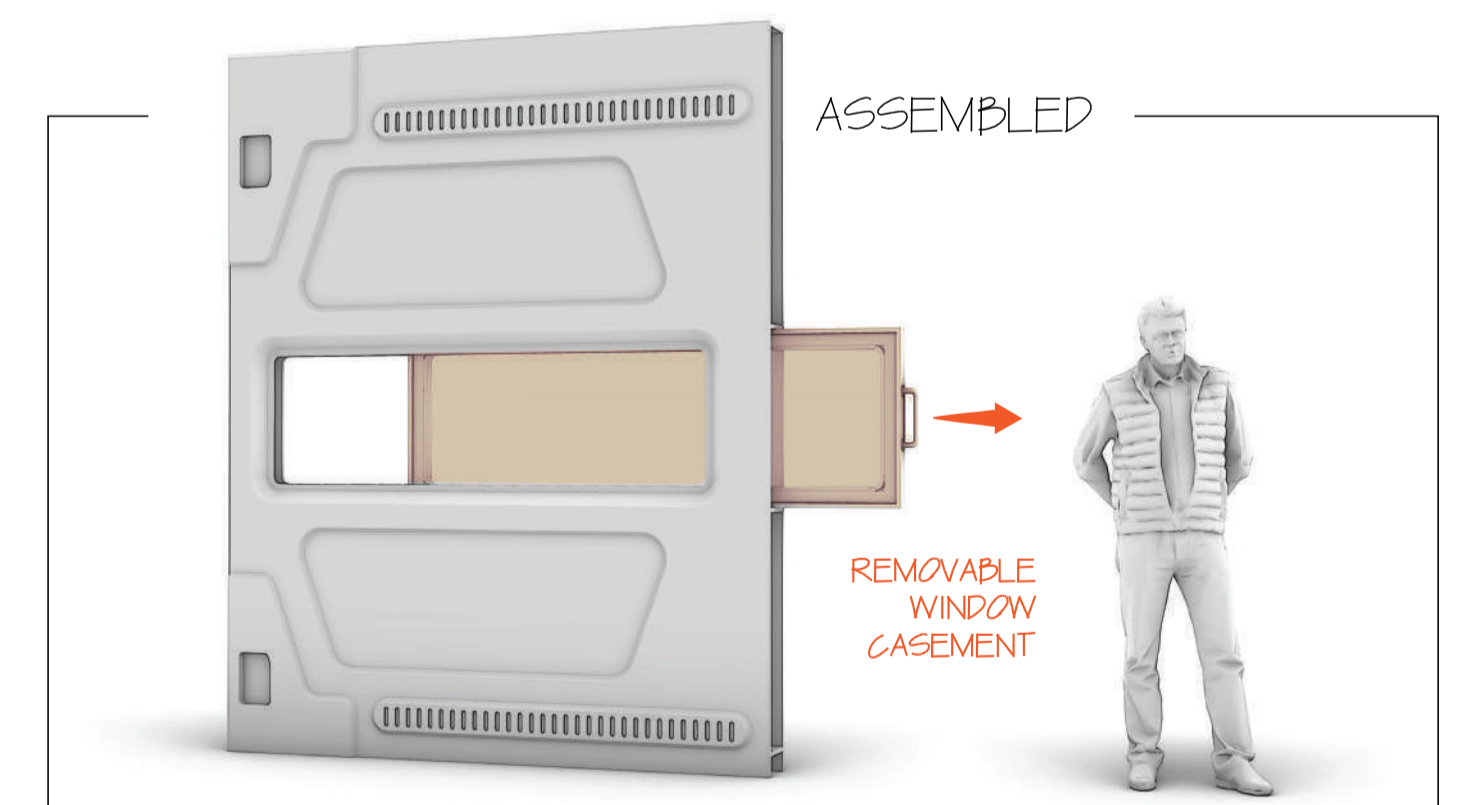
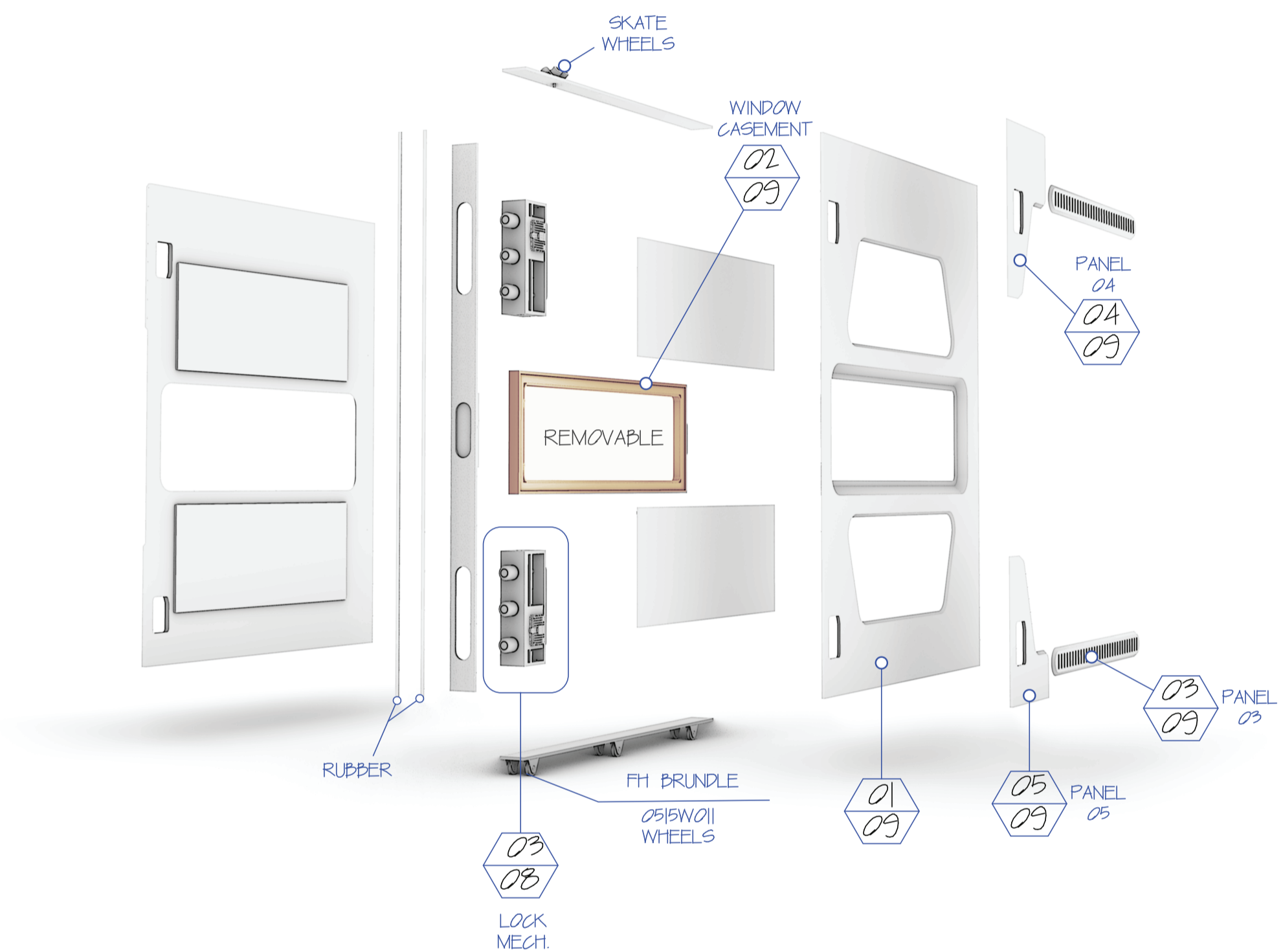
01 DOUBLE SLIDING POCKET DOOR - PLAN  
SC: 1/20



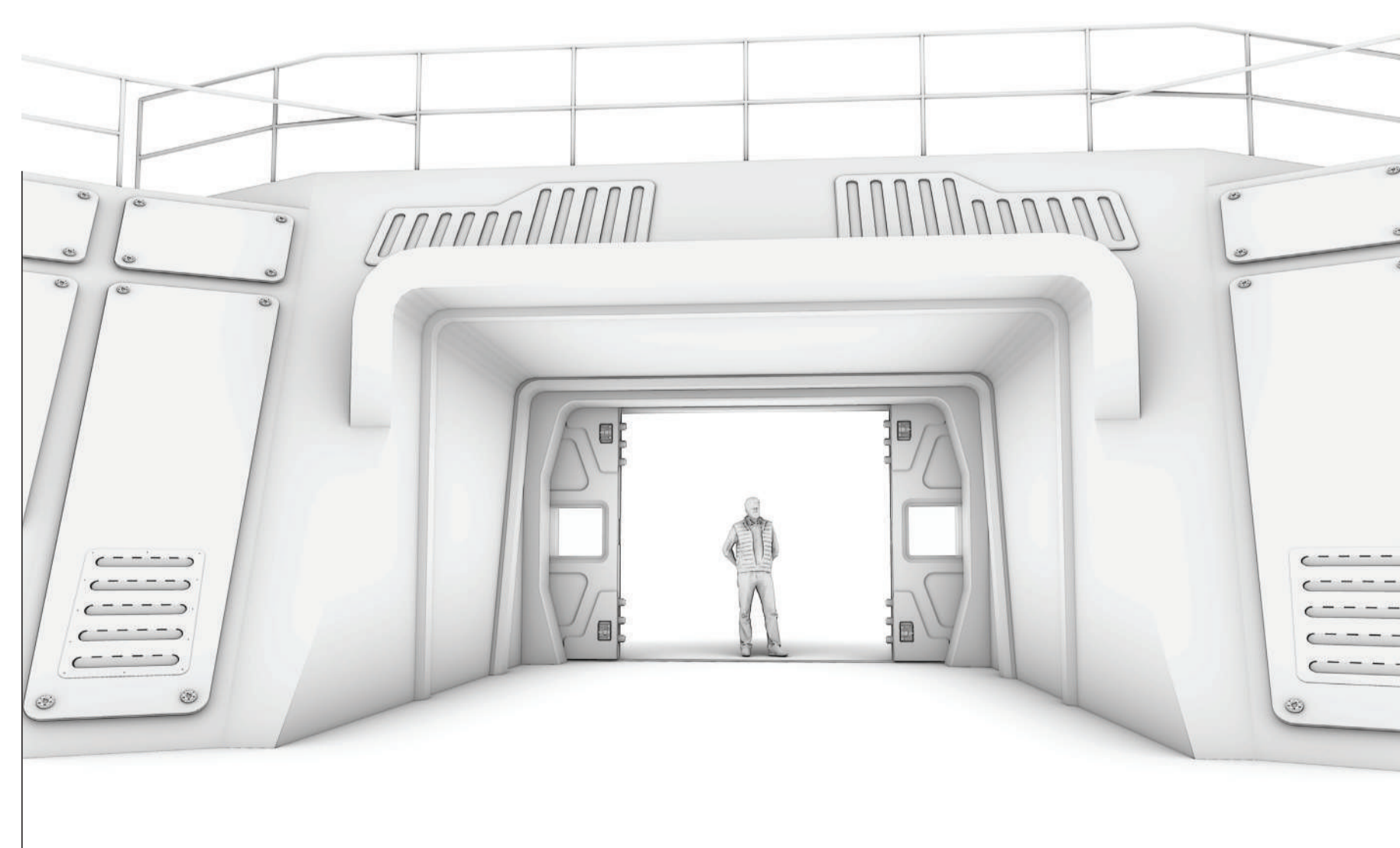
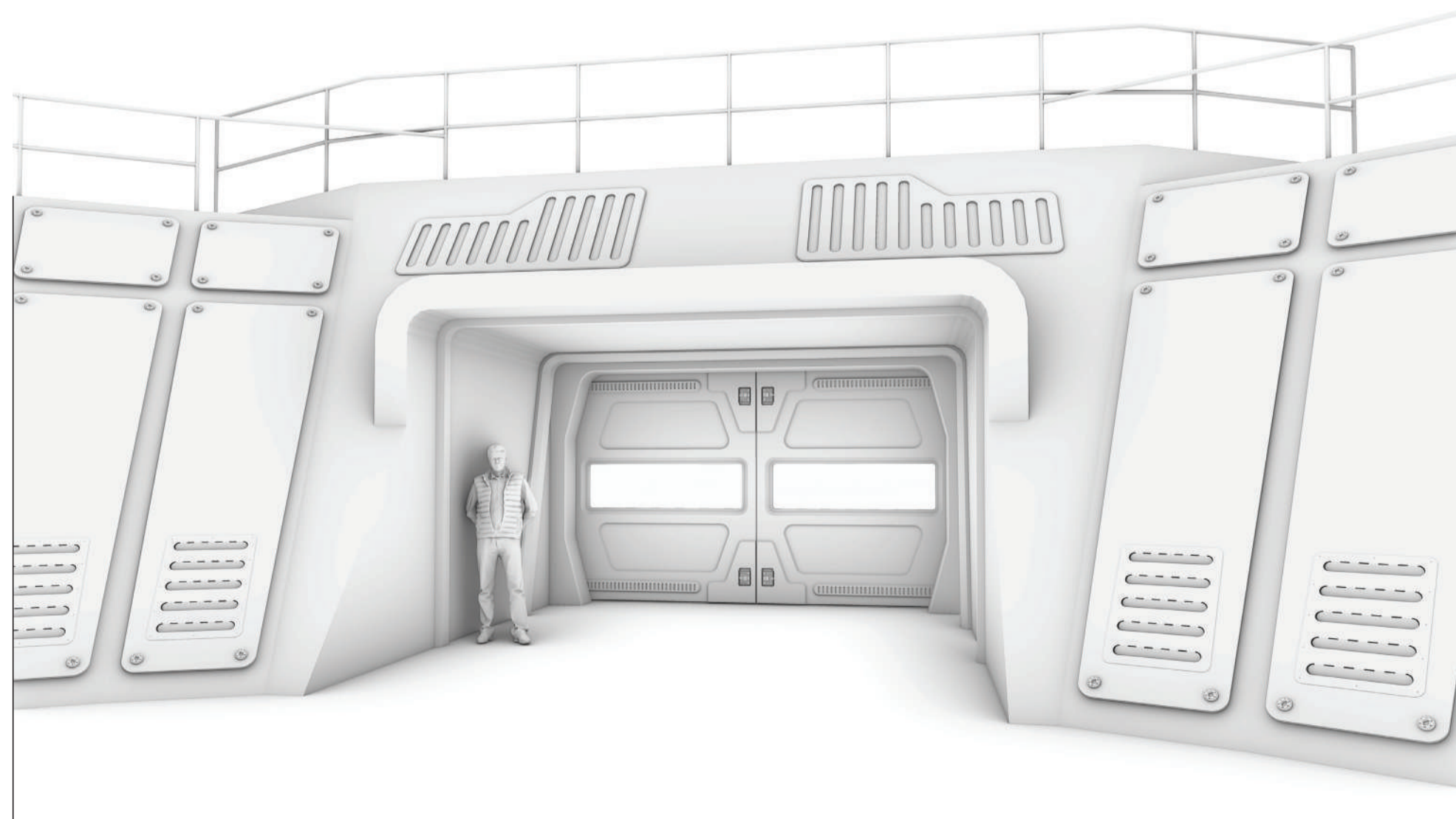
02 PULLEY MECHANISM - MODEL VIEW  
SC: N/A



A DOUBLE SLIDING POCKET DOOR (CLOSED) - ELEVATION  
SC: 1/20



A DOOR - EXPLODED MODEL VIEW  
SC: N/A

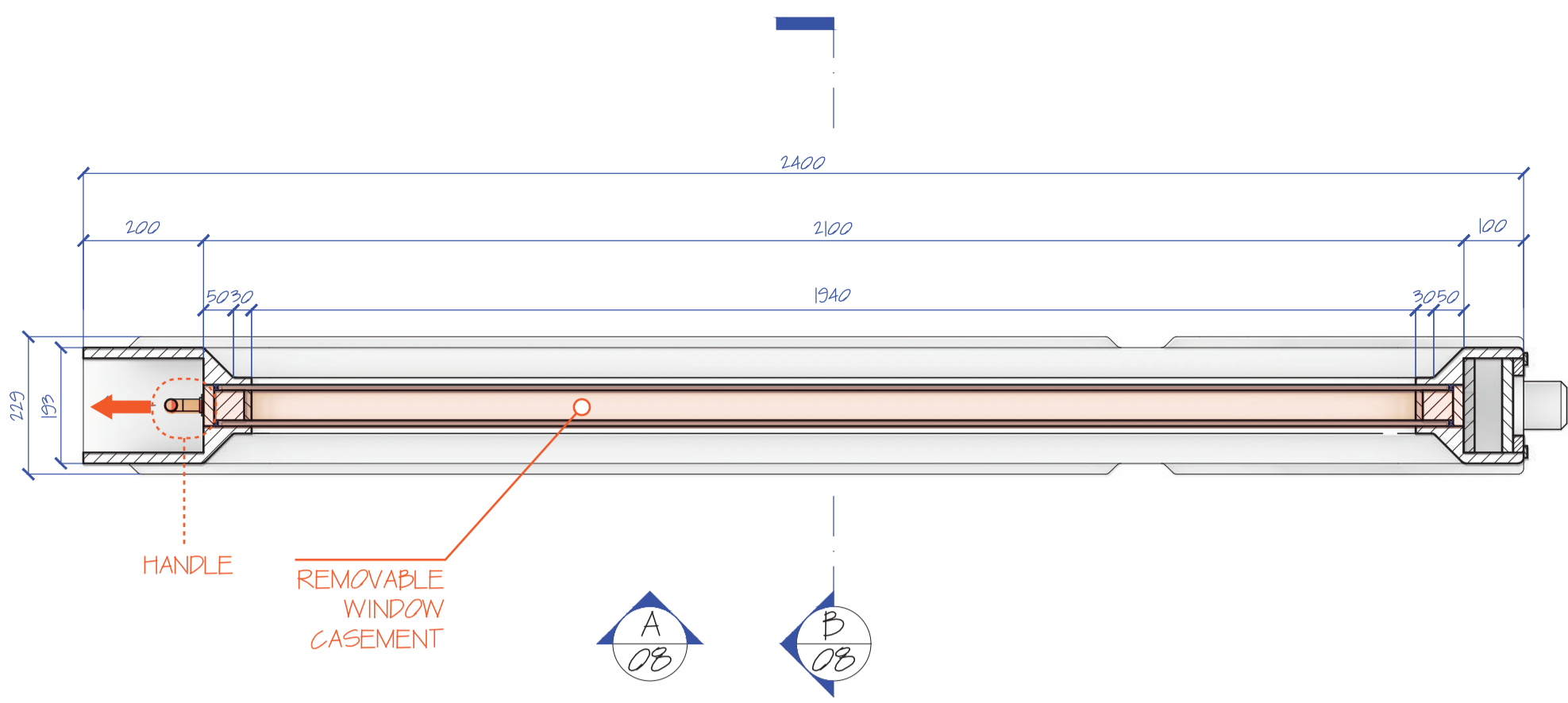


03 MODEL VIEWS  
SC: N/A

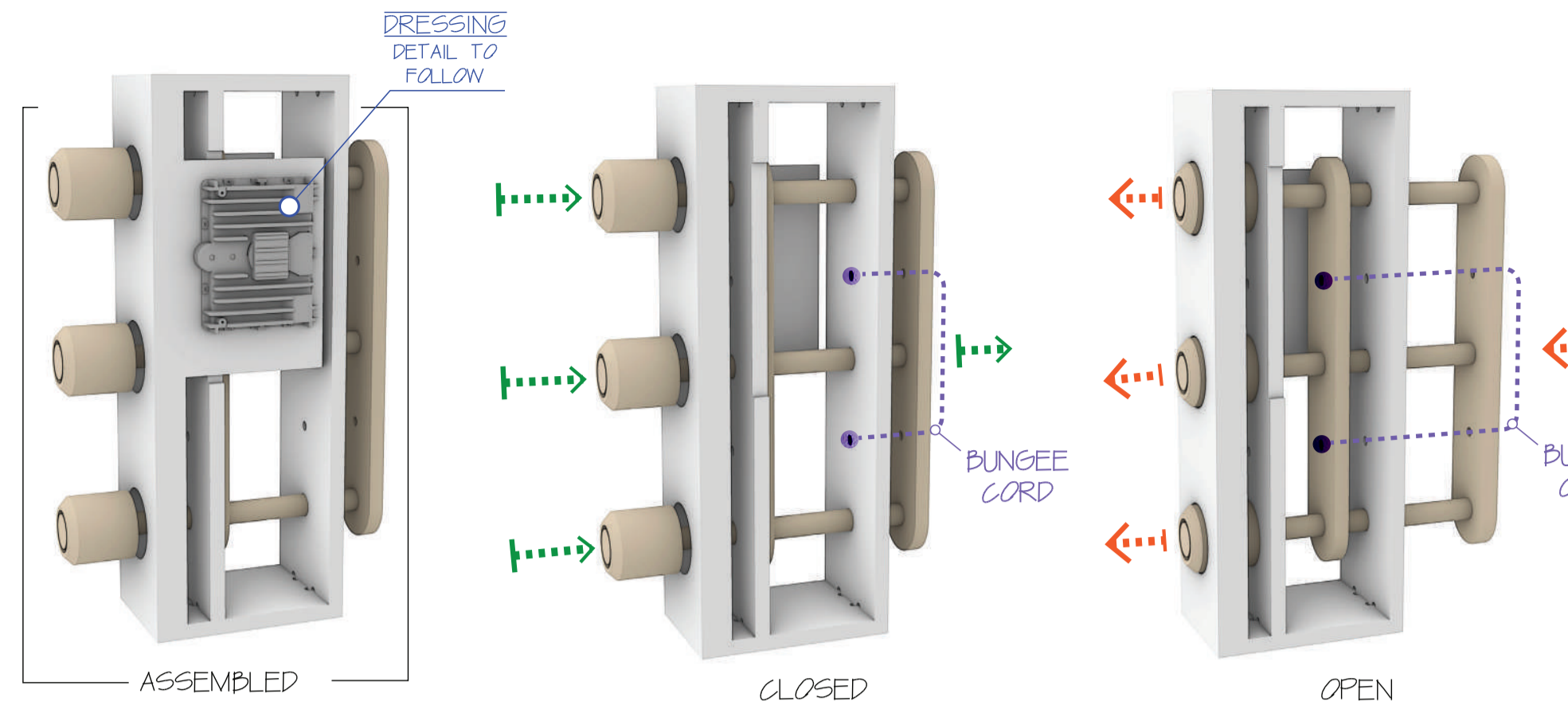
NOTES:

- THE DOOR IS **REMOVABLE** AND TO BE USED IN OTHER SET.
- WINDOW CASEMENT IS **REMOVABLE** AND MAY BE REPLACED WITH AN ALTERNATIVE.
- READ IT WITH DWG 008 AND DWG 009.

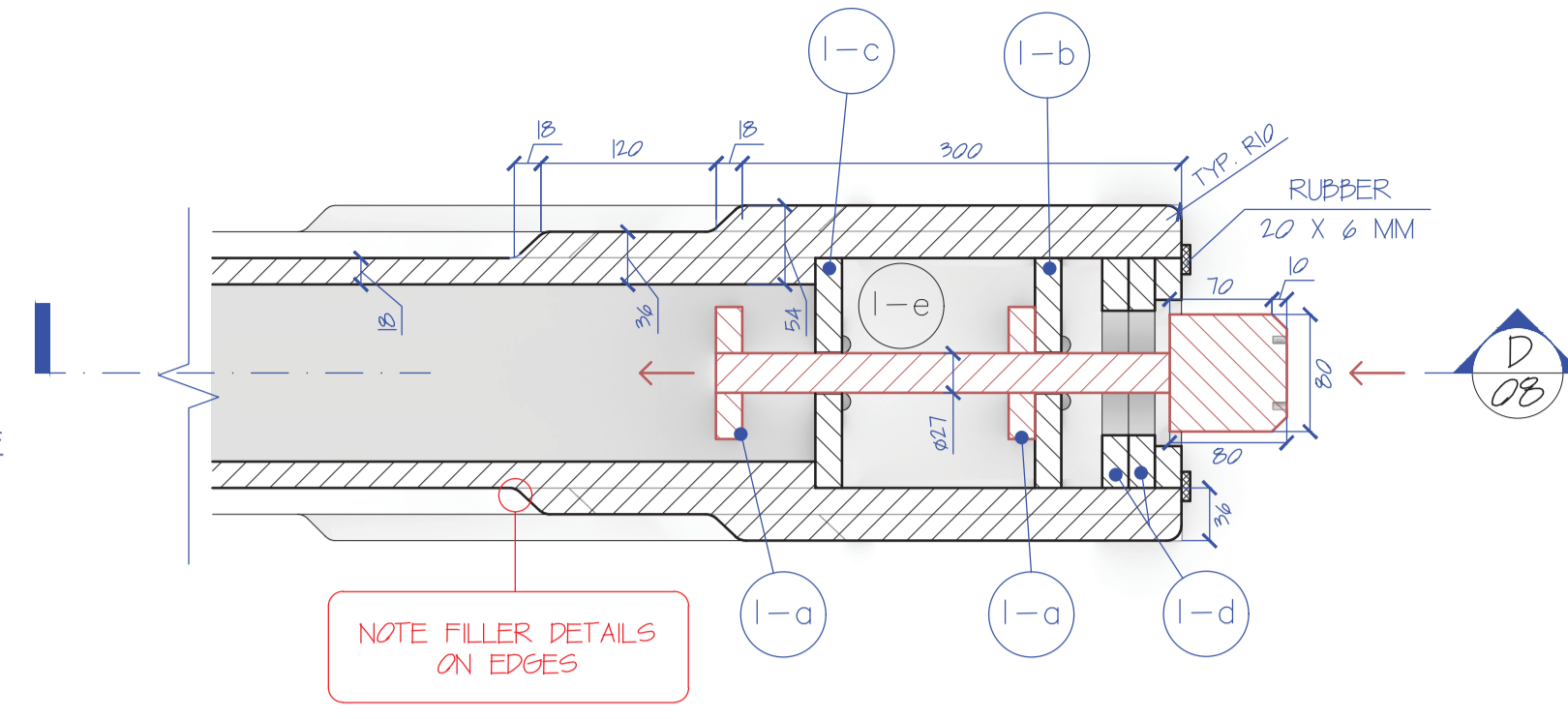
The Bridge		012-3008-007
SET: HELIPAD	LOCATION: BRACKLOT	SCALE: 1/20 @ A1
DETAILS: DOOR, P.S & E + PULLEY MECH.	DATE DRAWN: 3/05/22	DATE REVISED:
DRAWN BY: HAKAN Y	DATE ISSUED:	PRODUCTION DESIGNER: Phil Sims
DIRECTOR:	PRODUCTION DESIGNER: Phil Sims	SET DEC:
CAMERA:	PROPS:	PROP:
LIGHTING:	GRAPHICS:	CONSTRUCTION:
LOCATION:	CONSTRUCTION:	WFL:
HEALTH & SAFETY:	WFL:	STX:
PRODUCTION:	STX:	WFL:
ARTIST:	WFL:	STX:
APPROVAL:	PRODUCTION DESIGNER: Phil Sims	DGA:



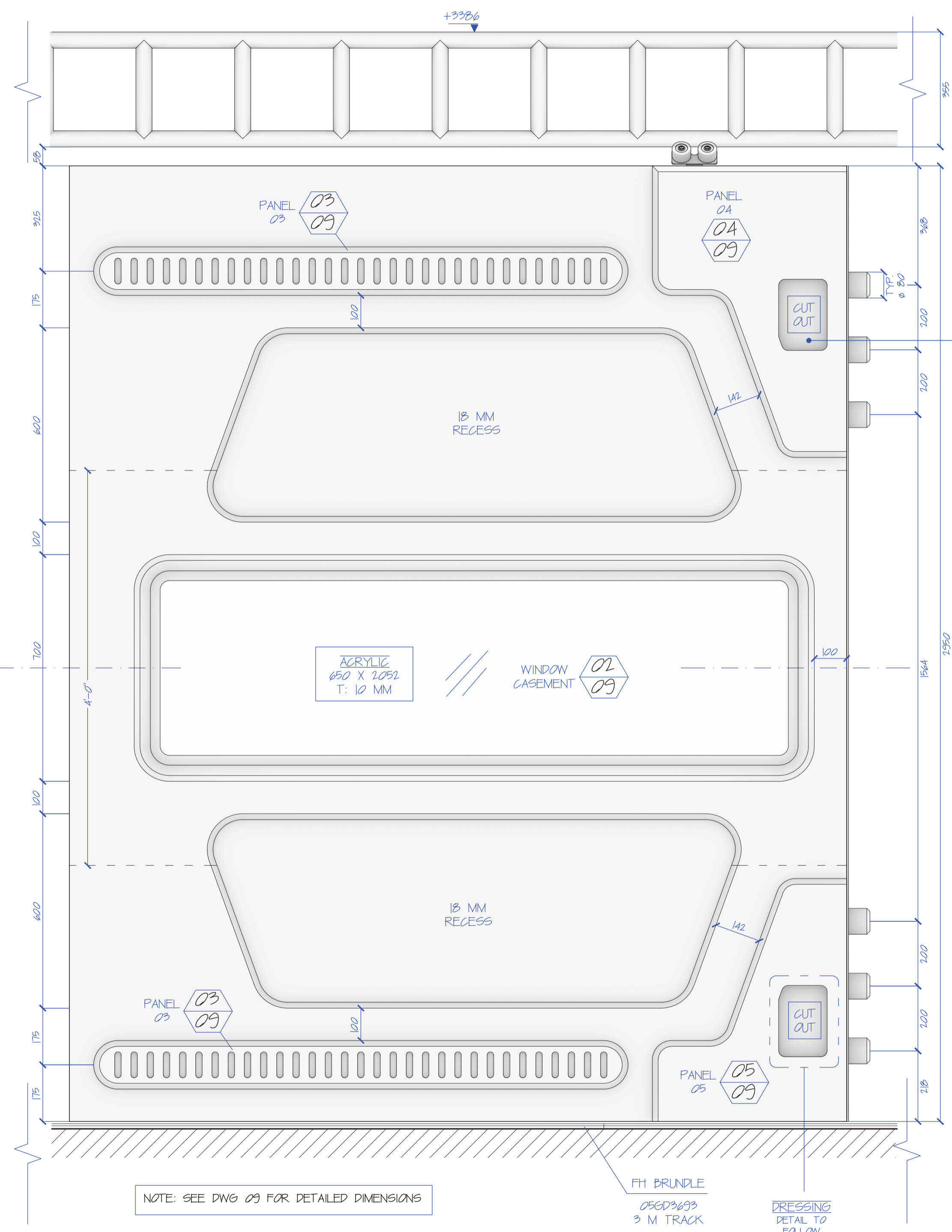
01 DOOR - PLAN  
SC: 1/10



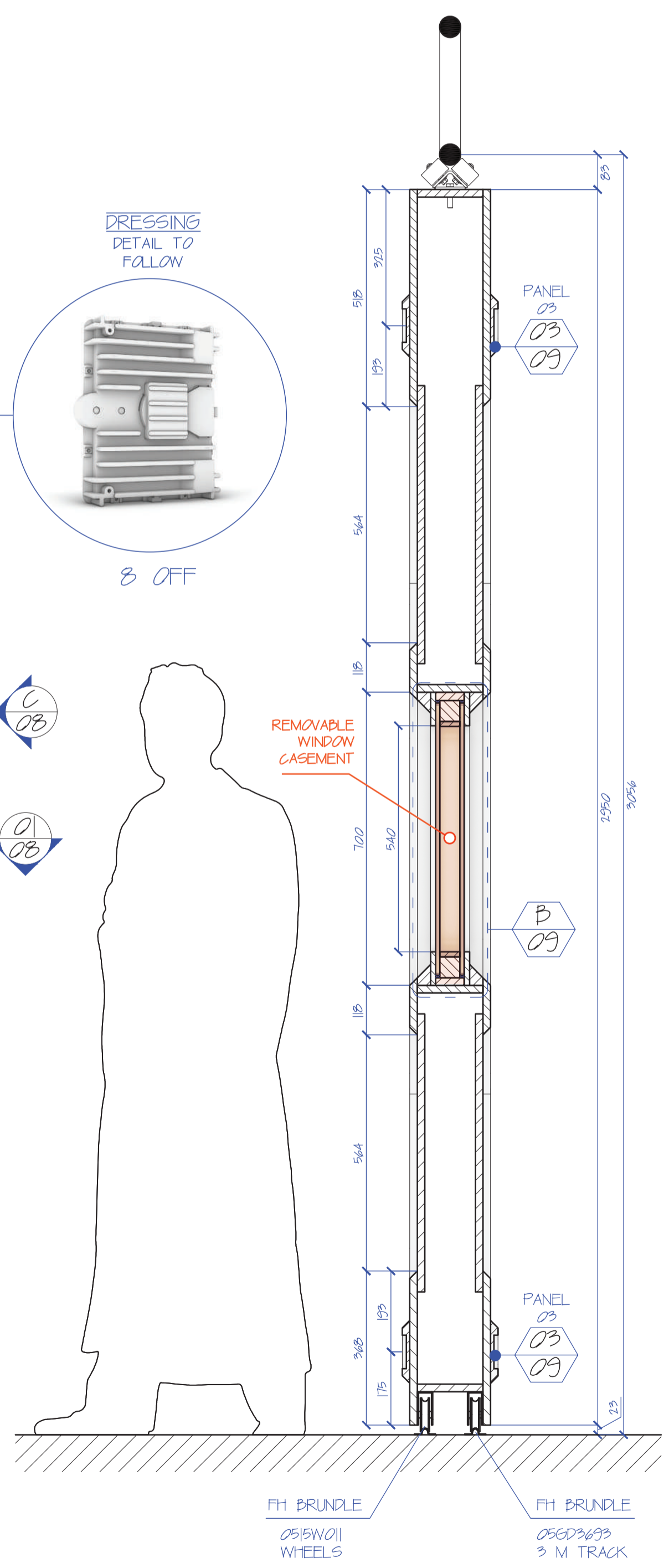
02 LOCK MECHANISM - MODEL VIEW  
SC: N/A



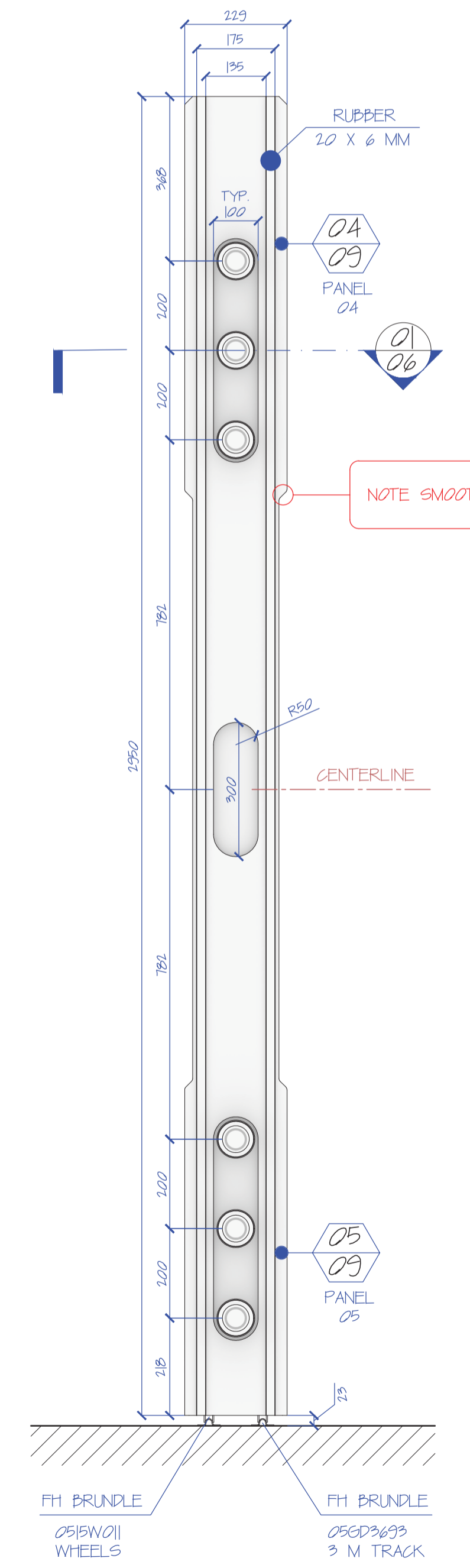
03 LOCK MECHANISM - DETAIL PLAN  
SC: 1/5



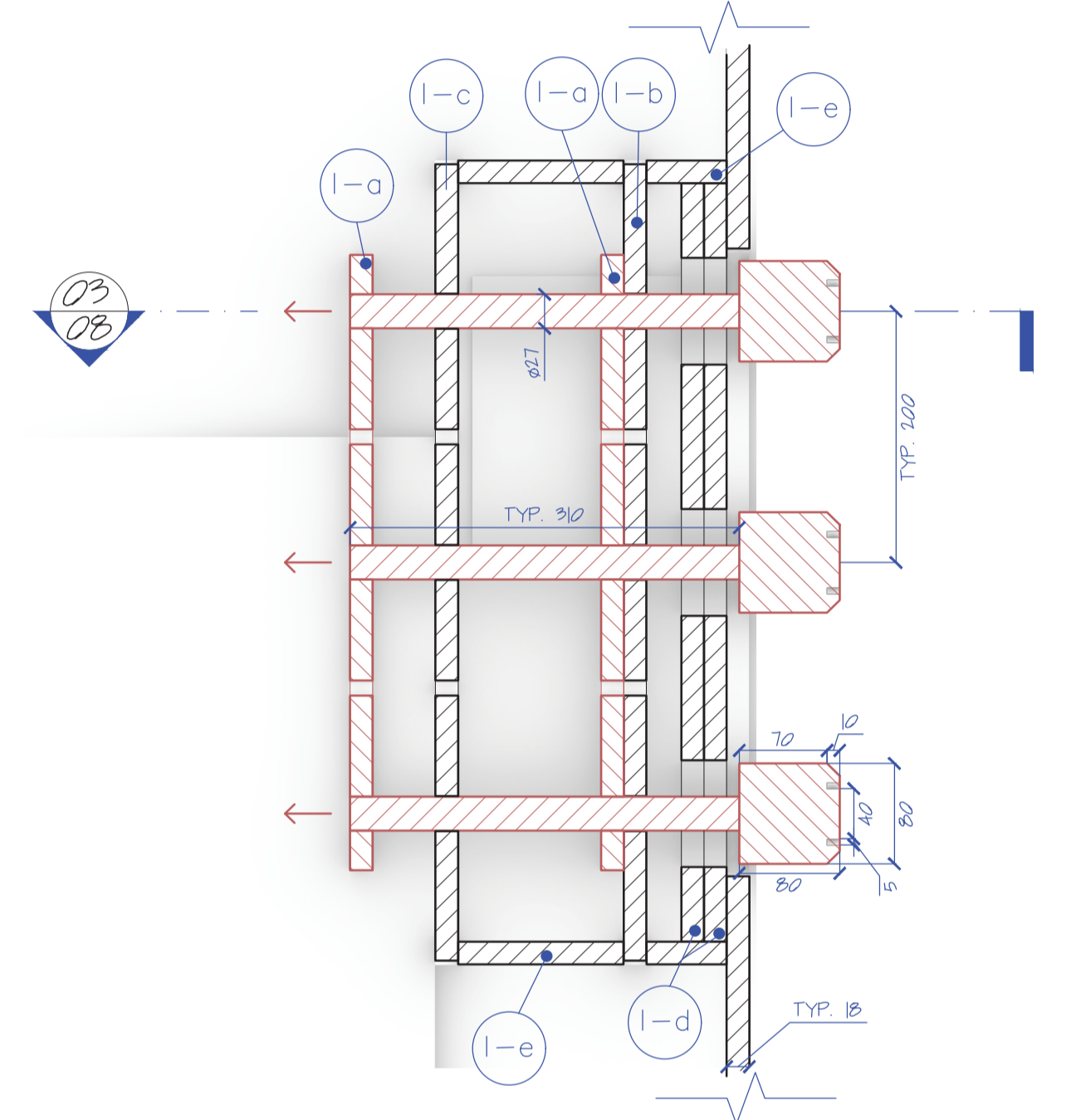
A DOOR - ELEVATION  
SC: 1/10



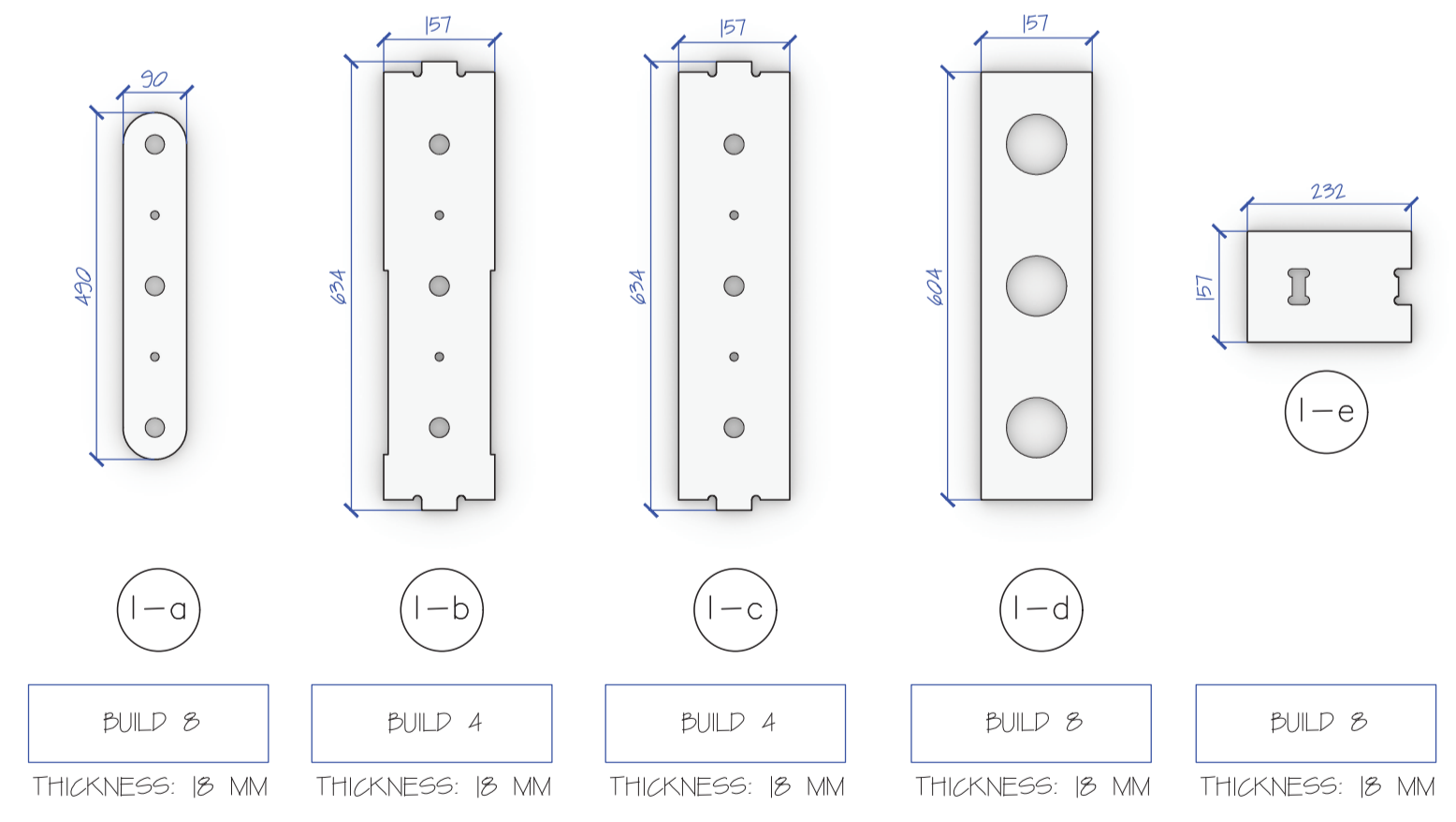
B DOOR - SECTION  
SC: 1/10



C DOOR - ELEVATION  
SC: 1/10



D LOCK MECHANISM - DETAIL SECTION  
SC: 1/5

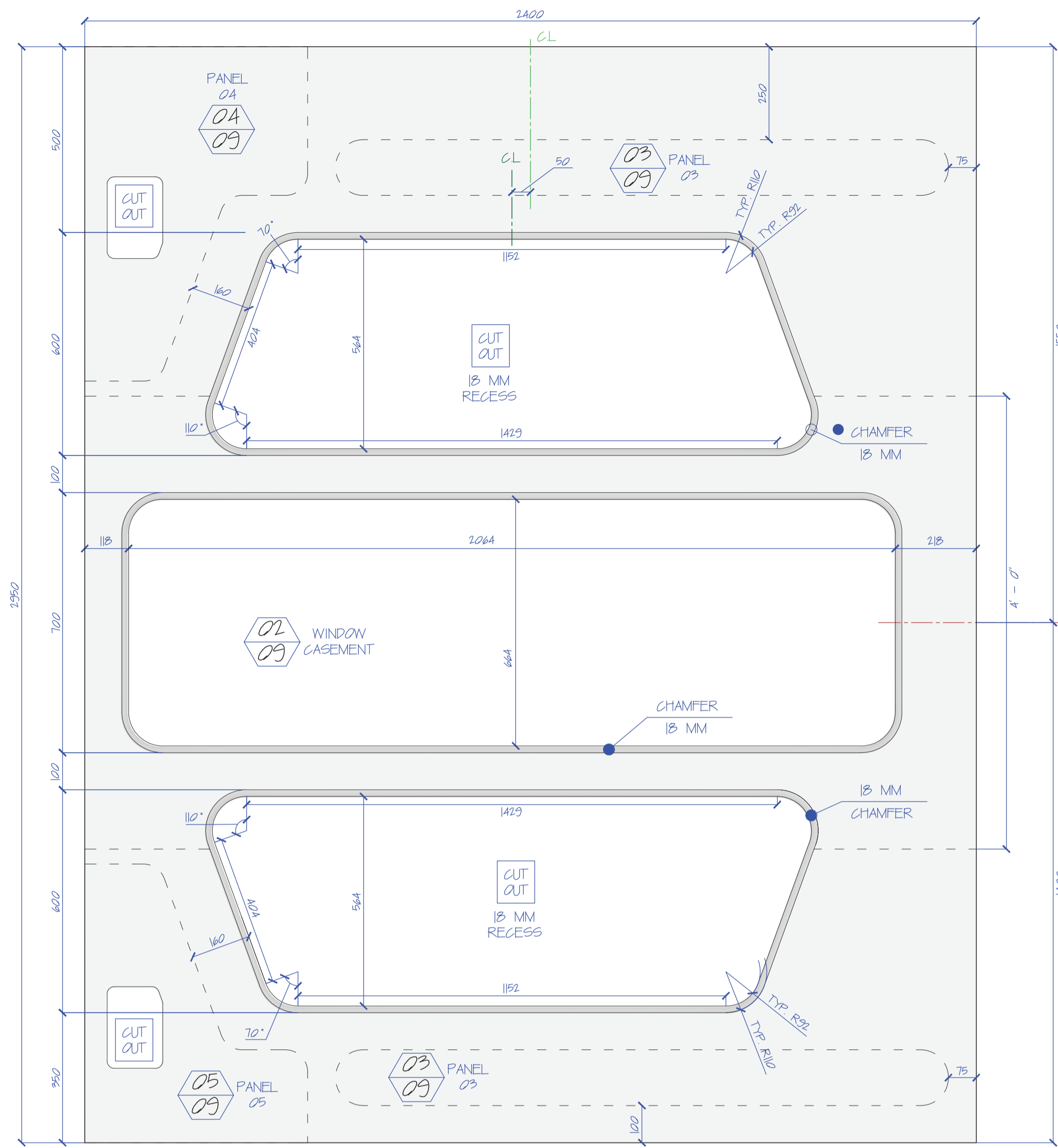


04 LOCK MECHANISM - CNC FILES  
SC: 1/10

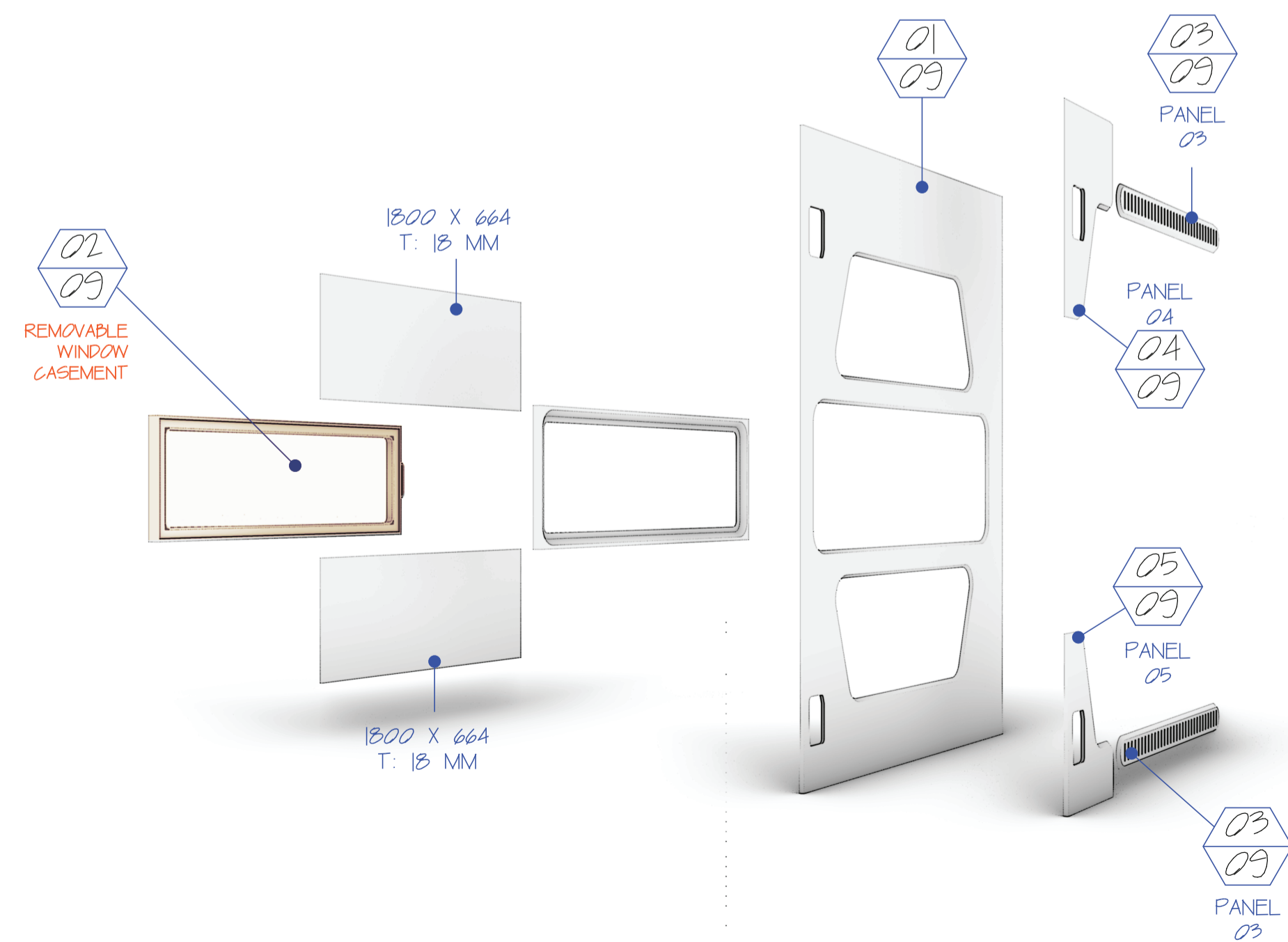
NOTES:  
- NOTE THAT THERE IS FILLING ON EDGES TO GIVE THE DOOR A MORE UNIFIED AND SMOOTH LOOK.  
- DXF FILE FOR PANELS IN LOCK MECHANISM WILL BE PROVIDED  
- READ IT WITH DWG 07 & 09.

The Bridge		012-3008-008
SET:	HELIPAD	LOCATION / STAGE: BACKLOT
DETAILS:	DOOR P.S & E + LOCK MECH.	SCALE: V. AR. 0 A1
DRAWN BY:	HAKAN Y.	DATE ISSUED: 3/05/22
DATE REVISION:		
DIRECTOR:		PRODUCTION DESIGNER: Phil Sims
DIRECTOR:		SET DEC:
CAMERA:		PROPS:
LIGHTING:		GRAPHICS:
LOCATION:		CONSTRUCTION:
HEALTH & SAFETY:		YES
PRODUCTION:		SFX:
ART DEPT:		PROCES:
APPROVAL:		PRODUCTION DESIGNER: Phil Sims
		D.O.P.

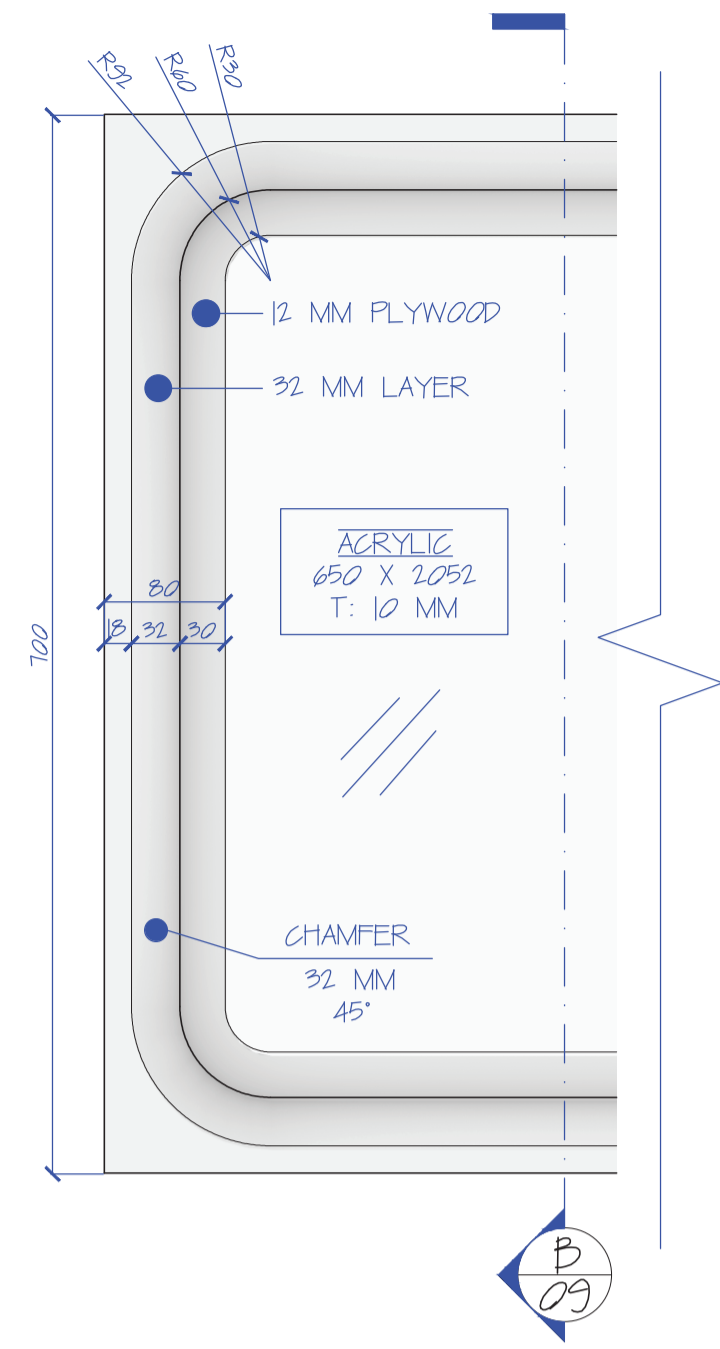




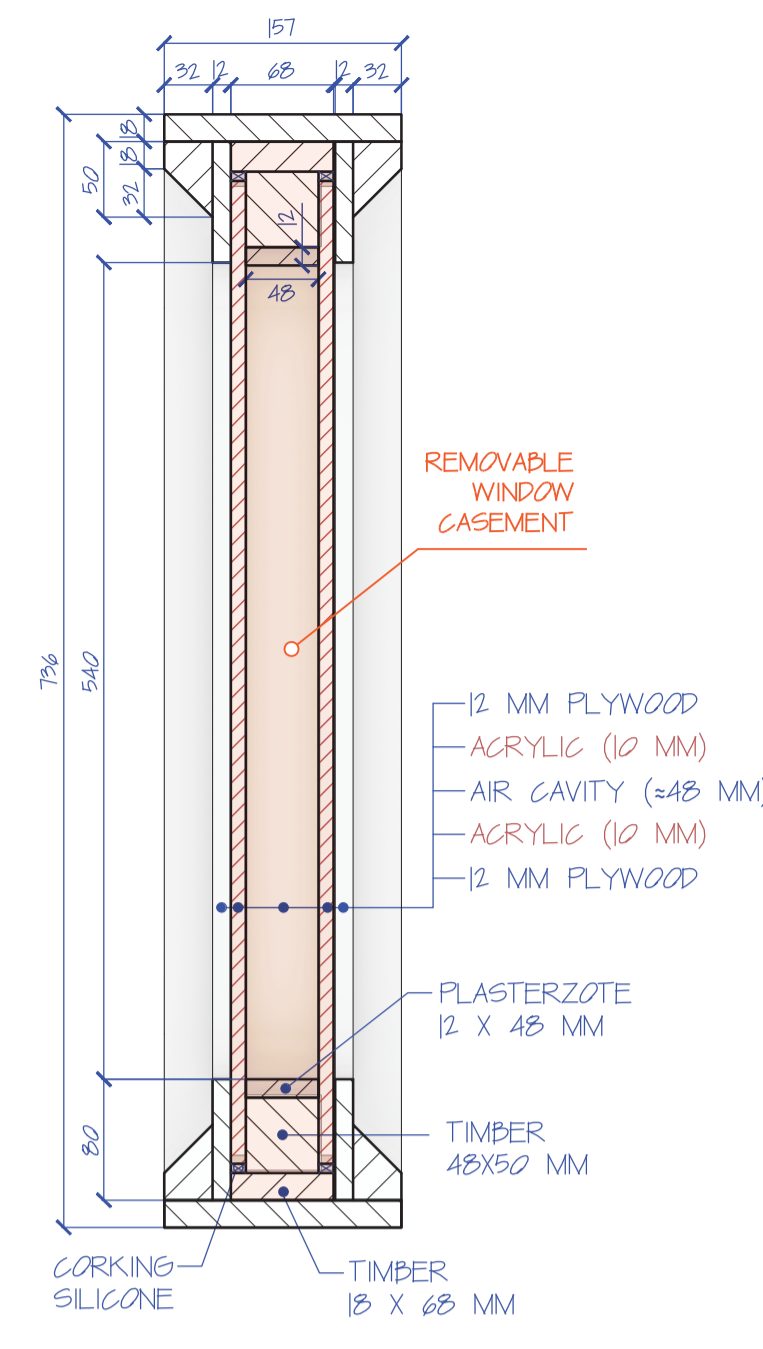
01 DOOR FACADE - ELEVATION  
SC: 1/5



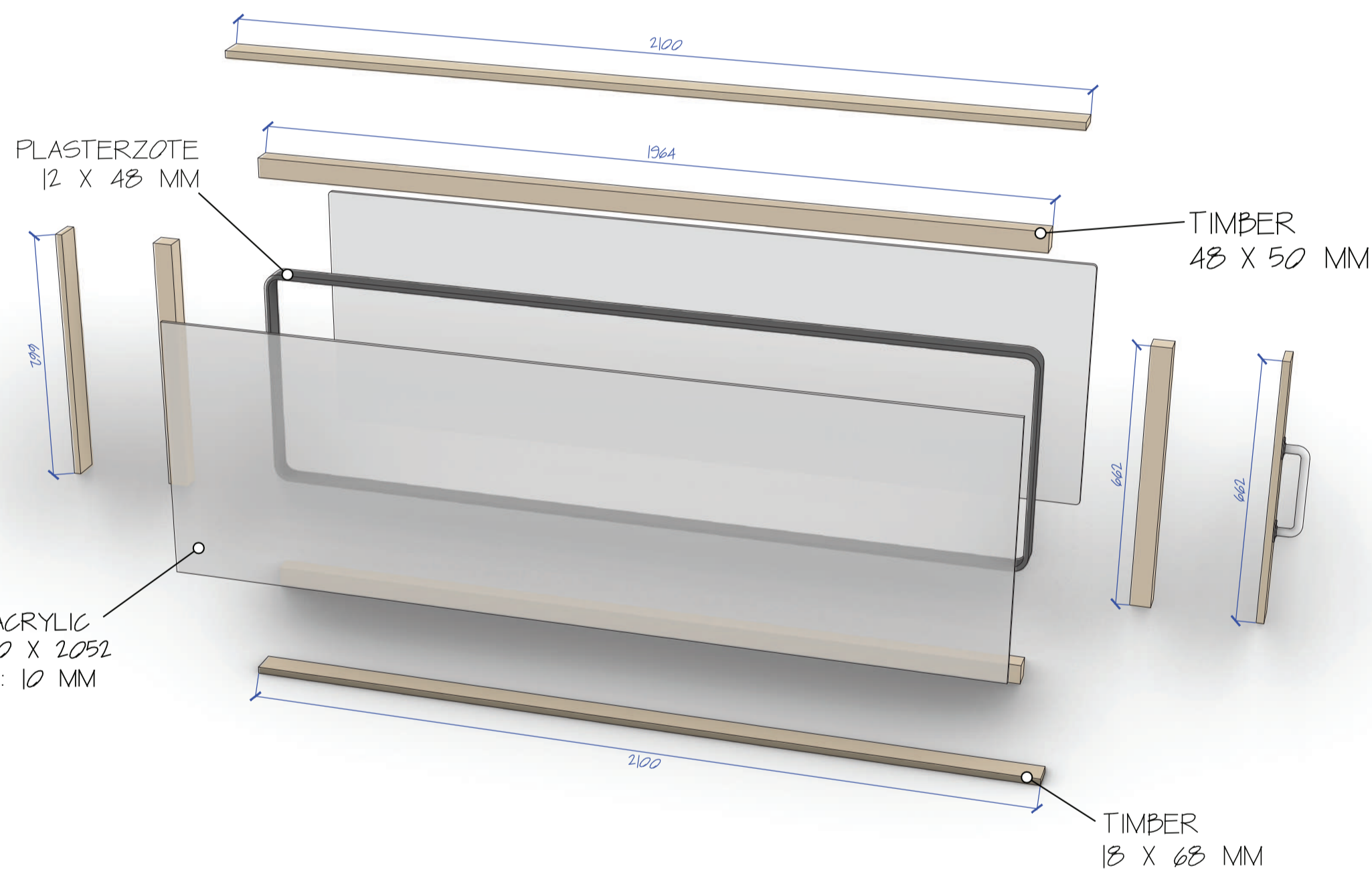
DOOR FACADE - LAYERS - MODEL VIEW  
SC: N/A



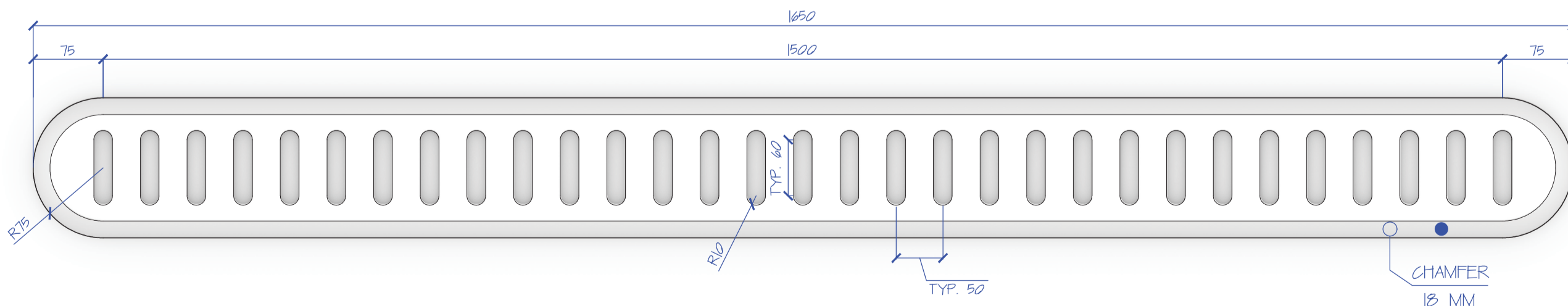
A PARTIAL ELEVATION  
SC: 1/5



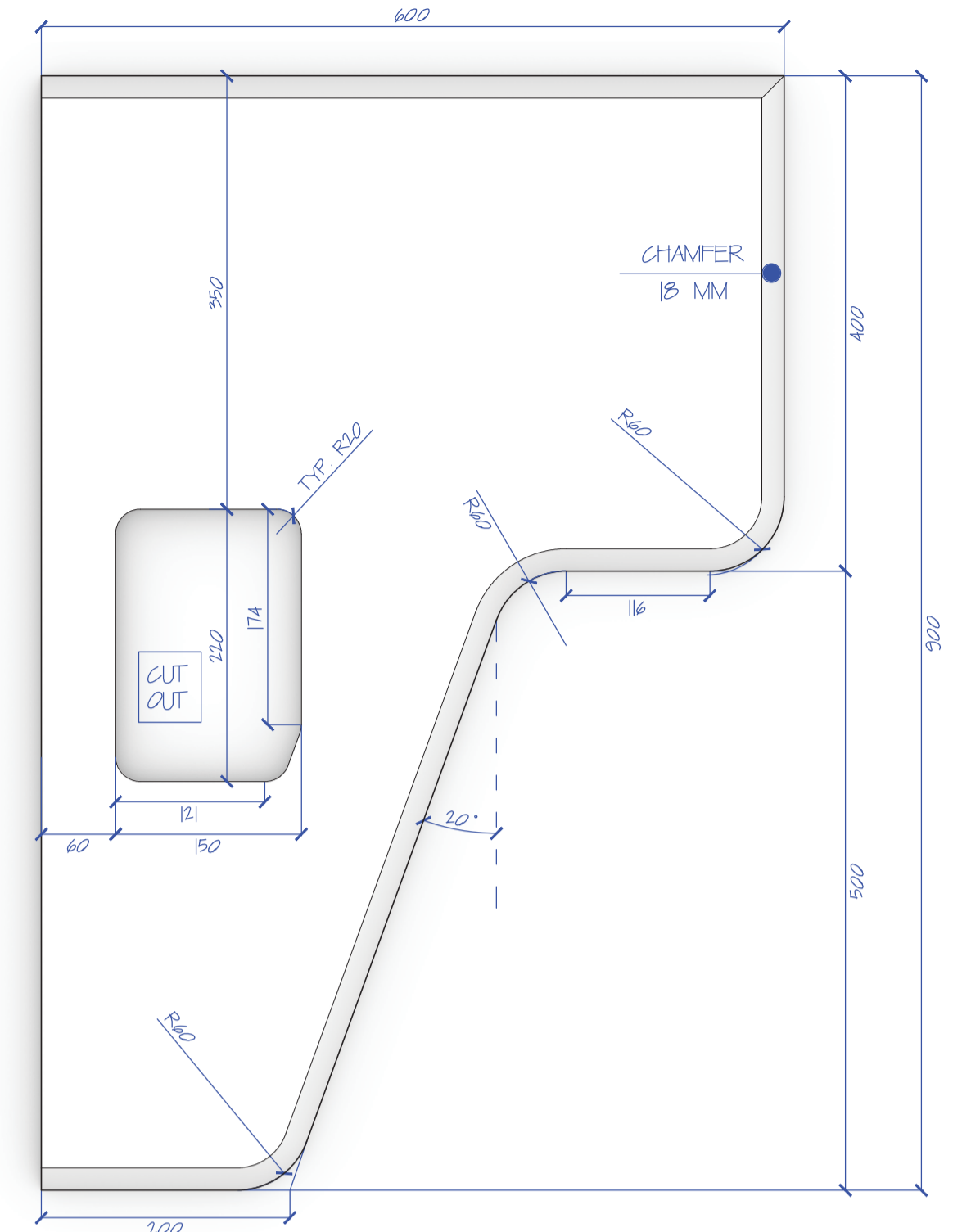
B PARTIAL SECTION  
SC: 1/5



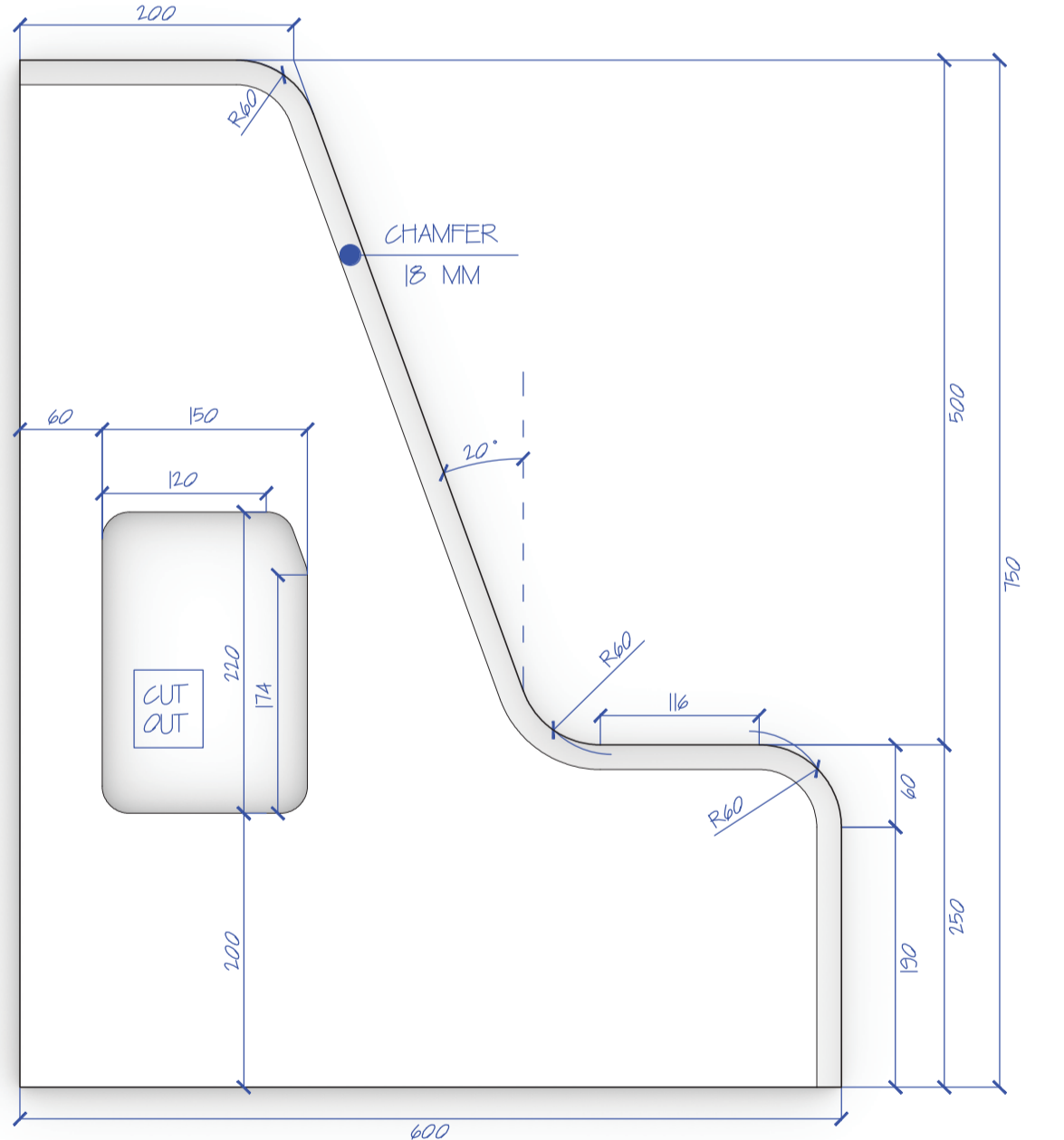
02 WINDOW CASEMENT - MODEL VIEW  
SC: N/A



03 DETAIL 01 - ELEVATION  
SC: 1/5



04 DETAIL 02 - ELEVATION  
SC: 1/5



05 DETAIL 03 - ELEVATION  
SC: 1/5

BUILD 4 (FOUR)  
HANDED 2 EACH  
THICKNESS: 18 MM

BUILD 4 (FOUR)  
HANDED 2 EACH  
THICKNESS: 18 MM

BUILD 8 (EIGHT)  
THICKNESS: 18 MM

NOTES:

- DXF FILES CAN BE PROVIDED IF CNC PREFERRED.
- NOTE THAT PANEL 4 & 5 ARE HANDED CHAMFER DETAIL WILL MIRROR.
- READ IT WITH DWG 007 AND DWG 008.

The Bridge		012-3008-009	
REP: HELIPAD	LOCATION/FRAGE: BACKLOT	SCALE: 1/5 @ A1	DATE REVISION:
OWNER: HAKAN Y	DATE ISSUED: 3/05/22	CONSTRUCTION:	DATE REVISION:
DIRECTOR:	PRODUCTION DESIGNER: Phil Sims	CONSTRUCTION:	DATE REVISION:
DIRECTOR:	PRODUCTION DESIGNER: Phil Sims	CONSTRUCTION:	DATE REVISION:
CAMERA:	PROPS:	CONSTRUCTION:	DATE REVISION:
LIGHTING:	GRAPHICS:	CONSTRUCTION:	DATE REVISION:
HEALTH & SAFETY:	OFF:	CONSTRUCTION:	DATE REVISION:
PRODUCTION:	RIGGING:	CONSTRUCTION:	DATE REVISION:
ART DEPT:	PRODUCTION DESIGNER: Phil Sims	CONSTRUCTION:	DATE REVISION:
APPROVAL:	PRODUCTION DESIGNER: Phil Sims	CONSTRUCTION:	DATE REVISION:
	D.O.P.	CONSTRUCTION:	DATE REVISION: